

## CURRENT SENSOR

---

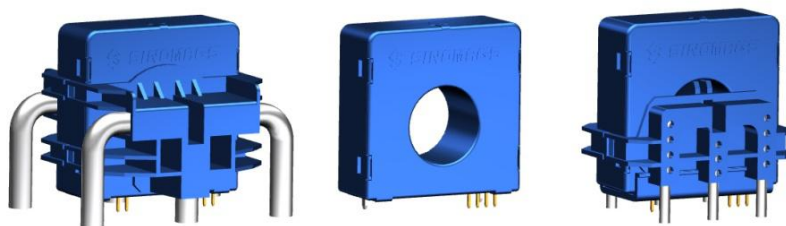
PRODUCT SERIES: SFG-P

SFG-0.3P/N, SFG-0.6P/N, SFG-1.0P/N  
SFG-1.5P/N, SFG-2.0P/N, SFG-3.0P/N,  
SFG-5.0P/N

PRODUCT PART NUMBER:

SFG-0.3P/P1, SFG-0.6P/P1, SFG-1.0P/P1  
SFG-1.5P/P1, SFG-2.0P/P1, SFG-3.0P/P1  
SFG-5.0P/P1  
SFG-0.3P/P2, SFG-0.6P/P2, SFG-1.0P/P2  
SFG-1.5P/P2, SFG-2.0P/P2, SFG-3.0P/P2  
SFG-5.0P/P2

Version: Ver 5.1



## CONTENT

1.	Description.....	2
2.	Absolute parameter: SFG-P/N.....	3
3.	Absolute parameter: SFG-P/P1.....	4
4.	Absolute parameter: SFG-P/P2.....	5
5.	Electrical data: SFG-0.3P/N.....	6
6.	Electrical data: SFG-0.6P/N.....	7
7.	Electrical data: SFG-1.0P/N.....	8
8.	Electrical data: SFG-1.5P/N.....	9
9.	Electrical data: SFG-2.0P/N.....	10
10.	Electrical data: SFG-3.0P/N.....	11
11.	Electrical data: SFG-0.3P/P1.....	13
12.	Electrical data: SFG-0.6P/P1.....	14
13.	Electrical data: SFG-1.0P/P1.....	15
14.	Electrical data: SFG-1.5P/P1.....	16
15.	Electrical data: SFG-2.0P/P1.....	17
16.	Electrical data: SFG-3.0P/P1.....	18
17.	Electrical data: SFG-0.3P/P2.....	20
18.	Electrical data: SFG-0.6P/P2.....	21
19.	Electrical data: SFG-1.0P/P2.....	22
20.	Electrical data: SFG-1.5P/P2.....	23
21.	Electrical data: SFG-2.0P/P2.....	24
22.	Electrical data: SFG-3.0P/P2.....	25
23.	Connection.....	27
24.	SFG- P/N PCB footprint.....	27
25.	SFG- P/P1 PCB footprint.....	28
26.	SFG- P/P2 PCB footprint.....	29
27.	SFG- P/N Dimensions.....	30
28.	SFG- P/P1 Dimensions.....	31
29.	SFG- P/P2 Dimensions.....	32

## 1. Description

### Features

- Closed loop (compensated) current transducer
- Voltage output
- Insulation voltage for 5 kVAC
- Single supply voltage
- PCB mounting.

### Advantages

- High accuracy
- High overload capability
- High insulation capability
- High separation ability
- Low temperature drift
- Degauss and test functions

### Applications

- Residual current measurement
- Leakage current measurement in PV inverters
- First human contact protection of PV arrays
- Failure detection in power sources
- Leakage current detection in stacked DC sources
- Communication power



Type Approved  
Safety  
Regular Production  
Surveillance

[www.tuv.com](http://www.tuv.com)  
ID 1419065811

## 2. Absolute parameter: SFG-P/N

### Absolute maximum ratings

Parameter	Symbol	Unit	Value
Maximum Supply voltage	$V_{C \max}$	V	7
Maximum Primary conductor temperature	$T_{B \max}$	°C	110
Maximum overload capability (100 $\mu$ s, 500 A/ $\mu$ s)	$\hat{I}_{P \max}$	A	3300

### Ratings

Parameter	Symbol	Unit	Value
Primary involved potential		V AC/DC	600
Max surrounding air temperature	$T_A$	°C	105
Secondary supply voltage	$U_C$	V DC	5
Output voltage	$V_{out}$	V	0 to 5

### Isolation parameters

Parameter	Symbol	Unit	Value	Remark
RMS voltage for AC test 50 Hz/1 min	$V_d$	kV	5	
Impulse withstand voltage 1.2/50 $\mu$ s	$V_w$	kV	10.1	
Clearance distance (pri. –sec.)	$d_{Cl}$	mm	11	Shortest distance through air
Creepage distance (pri. –sec.)	$d_{Cp}$	mm	11	Shortest path along device body
Comparative tracking index	CTI	V	600	
Application example	-	V	600	Reinforced insulation, CAT III, PD2 non uniform field
Application example	-	V	1000	Basic insulation, CAT III, PD2 non uniform field

### Environmental and mechanical characteristics

Parameter	Symbol	Unit	Min	Typ	Max	Comment
Ambient operating temperature	$T_A$	°C	-40		105	
Ambient storage temperature	$T_S$	°C	-40		105	
Mass	m	g		50		
standard	EN 50178, IEC 61010, UL 508					

### 3. Absolute parameter: SFG-P/P1

#### Absolute maximum ratings

Parameter	Symbol	Unit	Value
Maximum Supply voltage	$V_{C \max}$	V	7
Maximum Primary conductor temperature	$T_{B \max}$	°C	110
Maximum overload capability (100 $\mu$ s, 500 A/ $\mu$ s)	$\hat{I}_{P \max}$	A	3300
Maximum Voltage between test winding and secondary pins	$V_{d \max}$	V	35
Maximum Current of test winding	$I_{T \max}$	mA	300

#### Ratings

Parameter	Symbol	Unit	Value
Primary involved potential		V AC/DC	1000
Primary current @ $T_{A \max}=105^{\circ}\text{C}$	$I_P$	A	150
Primary current @ $T_{A \max}=85^{\circ}\text{C}$	$I_P$	A	185
Secondary supply voltage	$U_C$	V DC	5
Output voltage	$V_{out}$	V	0 to 5

#### Isolation parameters

Parameter	Symbol	Unit	Value	Remark
RMS voltage for AC	$V_d$	kV	4	test 50 Hz/1 min
Impulse withstand voltage	$V_w$	kV	10.1	1.2/50 $\mu$ s
Clearance distance (pri. –pri.)	$d_{Cl}$	mm	9.4	Shortest distance through air
Creepage distance (pri. – pri.)	$d_{Cp}$	mm	12.9	Shortest path along device body
Clearance distance (pri. –sec.)	$d_{Cl}$	mm	9.4	When mounted on PCB with recommended layout
Creepage distance (pri. –sec.)	$d_{Cp}$	mm	12.4	When mounted on PCB with recommended layout
Comparative tracking index	CTI	V	600	
Application example		V	600 CAT III, PD2	Reinforced insulation, non uniform field
Application example		V	1500 CAT III, PD2	Basic insulation, non uniform field

#### Environmental and mechanical characteristics

Parameter	Symbol	Unit	Min	Typ	Max	Comment
Ambient operating temperature	$T_A$	°C	-40		105	
Ambient storage temperature	$T_S$	°C	-40		105	
Mass	m	g		150		
standard	EN 50178, IEC 61010, UL 508					

## 4. Absolute parameter: SFG-P/P2

### Absolute maximum ratings

Parameter	Symbol	Unit	Value
Maximum Supply voltage	$V_{C \max}$	V	7
Maximum Primary conductor temperature	$T_{B \max}$	°C	110
Maximum overload capability (100 $\mu$ s, 500 A/ $\mu$ s)	$\hat{I}_{P \max}$	A	3300

### Ratings

Parameter	Symbol	Unit	Value
Primary involved potential		V AC/DC	1000
Max surrounding air temperature	$T_A$	°C	105
Secondary supply voltage	$U_C$	V DC	5
Output voltage	$V_{out}$	V	0 to 5

### Isolation parameters

Parameter	Symbol	Unit	Value	Remark
RMS voltage for AC test 50Hz/1 min	$V_d$	kV	4	
Impulse withstand voltage 1.2/50 $\mu$ s	$V_w$	kV	10.1	
Clearance distance (pri. –pri.)	$d_{Cl}$	mm	11.4	Shortest distance through air
Creepage distance (pri. – pri.)	$d_{Cp}$	mm	15.8	Shortest path along device body
Clearance distance (pri. –sec.)	$d_{Cl}$	mm	10.6	Shortest distance through air
Creepage distance (pri. –sec.)	$d_{Cp}$	mm	13.3	Shortest path along device body
Comparative tracking index	CTI	V	600	
Application example	-	V	600 CAT III, PD2	Reinforced insulation, non uniform field
Application example	-	V	1000 CAT III, PD2	Basic insulation, non uniform field

### Environmental and mechanical characteristics

Parameter	Symbol	Unit	Min	Typ	Max	Comment
Ambient operating temperature	$T_A$	°C	-40		105	
Ambient storage temperature	$T_S$	°C	-40		105	
Mass	$m$	g		80		
standard	EN 50178, IEC 61010, UL 508					

## 5. Electrical data: SFG-0.3P/N

At  $T_A = 25\text{ }^\circ\text{C}$ ,  $V_C = 5\text{ V}$ .

Parameters	Symbol	Unit	Min	Typ	Max	Remark
Primary nominal residual rms current	$I_{PN}$	A		0.3		
Primary residual current, measuring range	$I_{PM}$	A	-0.5		0.5	
Supply voltage	$V_C$	V	4.75	5	5.25	
Current consumption	$I_C$	mA		17.5	21.6	$+I_P(\text{mA}) / N_a$ $N_a = 1000\text{ turns}$ $-40\text{ }^\circ\text{C} \dots 105\text{ }^\circ\text{C}$
Output voltage referred to $V_{ref}$ (Test current)	$V_{out}$	V	0.7	1.2	1.7	
Reference voltage @ $I_P = 0$	$V_{ref}$	V	2.495	2.5	2.505	Internal reference
External reference voltage	$V_{REF}$	V	2.3		4	Internal reference of $V_{ref}$ input = $499\ \Omega$
Electrical offset current referred to primary	$I_{OE}$	mA	-24	7	24	
Temperature coefficient of VOE @ $I_P = 0$	$TCV_{OE}$	ppm/K			$\pm 570$	ppm/K of 2.5 V $-40 \dots 105\text{ }^\circ\text{C}$
Theoretical sensitivity	$G_{th}$	V/A		4		
Sensitivity error	$\epsilon_G$	%	-1.6	0.5	1.6	$R_L > 500\text{ k}\Omega$
Temperature coefficient of G	$TCG$	ppm/K			$\pm 400$	$-40\text{ }^\circ\text{C} \dots 105\text{ }^\circ\text{C}$
Linearity error	$\epsilon_L$	%		0.5	1	
Reaction time @ 10 % of $I_{PRN}$	$t_{ra}$	$\mu\text{s}$		7		$R_L > 500\text{ k}\Omega$ , $di/dt > 5\text{ A}/\mu\text{s}$
Step response time to 90 % of $I_{PN}$	$t_r$	$\mu\text{s}$		50		$R_L > 500\text{ k}\Omega$ , $di/dt > 5\text{ A}/\mu\text{s}$
Frequency bandwidth (-3dB)	$BW$	kHz		15		$R_L > 500\text{ k}\Omega$
Noise(1 Hz ~ 10 kHz)	$V_{no}$	mV rms		10		$R_L > 500\text{ k}\Omega$
Accuracy@ $I_{PN}$ @ $T_A = 25\text{ }^\circ\text{C}$	$X_{25\text{ }^\circ\text{C}}$	% of $I_{PN}$		$\pm 1.9$		
Accuracy@ $I_{PN}$ @ $T_A = 105\text{ }^\circ\text{C}$	$X_{105\text{ }^\circ\text{C}}$	% of $I_{PN}$		$\pm 3.2$		

## 6. Electrical data: SFG-0.6P/N

At  $T_A = 25\text{ }^\circ\text{C}$ ,  $V_C = 5\text{ V}$ .

Parameters	Symbol	Unit	Min	Typ	Max	Remark
Primary nominal residual rms current	$I_{PN}$	A		0.6		
Primary residual current, measuring range	$I_{PM}$	A	-0.85		0.85	
Supply voltage	$V_C$	V	4.75	5	5.25	
Current consumption	$I_C$	mA		17.5	21.6	$I_P(\text{mA}) / N_a$ $N_a = 1000\text{ turns}$ - $40\text{ }^\circ\text{C} \dots 105\text{ }^\circ\text{C}$
Output voltage referred to $V_{ref}$ (Test current)	$V_{out}$	V	0.4	0.75	1.1	
Reference voltage @ $I_P = 0$	$V_{ref}$	V	2.495	2.5	2.505	Internal reference
External reference voltage	$V_{REF}$	V	2.3		4	Internal reference of $V_{ref}$ input = $499\ \Omega$
Electrical offset current referred to primary	$I_{OE}$	mA	-24	4.2	24	
Temperature coefficient of VOE @ $I_P = 0$	$TCV_{OE}$	ppm/K			$\pm 520$	ppm/K of 2.5 V - $40 \dots 105\text{ }^\circ\text{C}$
Theoretical sensitivity	$G_{th}$	V/A		2.476		
Sensitivity error	$\epsilon_G$	%	-0.7	0.5	0.7	$R_L > 500\text{ k}\Omega$
Temperature coefficient of G	$TCG$	ppm/K			$\pm 100$	- $40\text{ }^\circ\text{C} \dots 105\text{ }^\circ\text{C}$
Linearity error	$\epsilon_L$	%		0.4	1.3	
Reaction time @ 10 % of $I_{PRN}$	$t_{ra}$	$\mu\text{s}$		5		$R_L > 500\text{ k}\Omega$ , $di/dt > 5\text{ A}/\mu\text{s}$
Step response time to 90 % of $I_{PN}$	$t_r$	$\mu\text{s}$		30		$R_L > 500\text{ k}\Omega$ , $di/dt > 5\text{ A}/\mu\text{s}$
Frequency bandwidth (-3dB)	$BW$	kHz		15		$R_L > 500\text{ k}\Omega$
Noise(1 Hz ~ 10 kHz)	$V_{no}$	mV rms		10		$R_L > 500\text{ k}\Omega$
Accuracy@ $I_{PN}$ @ $T_A = 25\text{ }^\circ\text{C}$	$X_{25\text{ }^\circ\text{C}}$	% of $I_{PN}$		$\pm 1.9$		
Accuracy@ $I_{PN}$ @ $T_A = 105\text{ }^\circ\text{C}$	$X_{105\text{ }^\circ\text{C}}$	% of $I_{PN}$		$\pm 3.2$		



## 7. Electrical data: SFG-1.0P/N

At  $T_A = 25\text{ }^\circ\text{C}$ ,  $V_C = 5\text{ V}$ .

Parameters	Symbol	Unit	Min	Typ	Max	Remark
Primary nominal residual rms current	$I_{PN}$	A		1		
Primary residual current, measuring range	$I_{PM}$	A	-1.7		1.7	
Supply voltage	$V_C$	V	4.75	5	5.25	
Current consumption	$I_C$	mA		17.5	21.6	$I_P(\text{mA}) / N_a$ $N_a = 1000\text{ turns}$ - $40\text{ }^\circ\text{C} \dots 105\text{ }^\circ\text{C}$
Output voltage referred to $V_{ref}$ (Test current)	$V_{out}$	V	0.2	0.35	0.5	
Reference voltage @ $I_P = 0$	$V_{ref}$	V	2.495	2.5	2.505	Internal reference
External reference voltage	$V_{REF}$	V	2.3		4	Internal reference of $V_{ref}$ input = $499\text{ }\Omega$
Electrical offset current referred to primary	$I_{OE}$	mA	-24	7	24	
Temperature coefficient of VOE @ $I_P = 0$	$TCV_{OE}$	ppm/K		$\pm 50$	$\pm 500$	ppm/K of 2.5 V - $40 \dots 105\text{ }^\circ\text{C}$
Theoretical sensitivity	$G_{th}$	V/A		1.2		
Sensitivity error	$\epsilon_G$	%	-1.6	0.5	1.6	$R_L > 500\text{ k}\Omega$
Temperature coefficient of G	$TCG$	ppm/K			$\pm 400$	- $40\text{ }^\circ\text{C} \dots 105\text{ }^\circ\text{C}$
Linearity error	$\epsilon_L$	%		0.5	1	
Reaction time @ 10 % of $I_{PRN}$	$t_{ra}$	$\mu\text{s}$		7		$R_L > 500\text{ k}\Omega$ , $di/dt > 5\text{ A}/\mu\text{s}$
Step response time to 90 % of $I_{PN}$	$t_r$	$\mu\text{s}$		50		$R_L > 500\text{ k}\Omega$ , $di/dt > 5\text{ A}/\mu\text{s}$
Frequency bandwidth (-3dB)	$BW$	kHz		15		$R_L > 500\text{ k}\Omega$
Noise(1 Hz ~ 10 kHz)	$V_{no}$	mV rms		10		$R_L > 500\text{ k}\Omega$
Accuracy@ $I_{PN}$ @ $T_A = 25\text{ }^\circ\text{C}$	$X_{25\text{ }^\circ\text{C}}$	% of $I_{PN}$		$\pm 1.9$		
Accuracy@ $I_{PN}$ @ $T_A = 105\text{ }^\circ\text{C}$	$X_{105\text{ }^\circ\text{C}}$	% of $I_{PN}$		$\pm 3.2$		

## 8. Electrical data: SFG-1.5P/N

At  $T_A = 25\text{ }^\circ\text{C}$ ,  $V_C = 5\text{ V}$ .

Parameters	Symbol	Unit	Min	Typ	Max	Remark
Primary nominal residual rms current	$I_{PN}$	A		1.5		
Primary residual current, measuring range	$I_{PM}$	A	-2		2	
Supply voltage	$V_C$	V	4.75	5	5.5	
Current consumption	$I_C$	mA		17.5	21.6	$I_P(\text{mA}) / N_a$ $N_a = 1000\text{ turns}$ - $40\text{ }^\circ\text{C} \dots 105\text{ }^\circ\text{C}$
Output voltage referred to $V_{ref}$ (Test current)	$V_{out}$	V	0.12		0.5	
Reference voltage @ $I_P = 0$	$V_{ref}$	V	2.495	2.5	2.505	Internal reference
External reference voltage	$V_{REF}$	V	2.3		4	Internal reference of $V_{ref}$ input = $499\ \Omega$
Electrical offset current referred to primary	$I_{OE}$	mA	-30	4.2	30	
Temperature coefficient of VOE @ $I_P = 0$	$TCV_{OE}$	ppm/K			$\pm 570$	ppm/K of 2.5 V - $40 \dots 105\text{ }^\circ\text{C}$
Theoretical sensitivity	$G_{th}$	V/A		0.8		
Sensitivity error	$\epsilon_G$	%	-1.6	0.5	1.6	$R_L > 500\text{ k}\Omega$
Temperature coefficient of G	$TCG$	ppm/K			$\pm 400$	- $40\text{ }^\circ\text{C} \dots 105\text{ }^\circ\text{C}$
Linearity error	$\epsilon_L$	%		0.5	1	
Reaction time @ 10 % of $I_{PRN}$	$t_{ra}$	$\mu\text{s}$		5		$R_L > 500\text{ k}\Omega$ , $di/dt > 5\text{ A}/\mu\text{s}$
Step response time to 90 % of $I_{PN}$	$t_r$	$\mu\text{s}$		50		$R_L > 500\text{ k}\Omega$ , $di/dt > 5\text{ A}/\mu\text{s}$
Frequency bandwidth (-3dB)	$BW$	kHz		15		$R_L > 500\text{ k}\Omega$
Noise(1 Hz ~ 10 kHz)	$V_{no}$	mV rms		10		$R_L > 500\text{ k}\Omega$
Accuracy@ $I_{PN}$ @ $T_A = 25\text{ }^\circ\text{C}$	$X_{25c}$	% of $I_{PN}$		$\pm 1.9$		
Accuracy@ $I_{PN}$ @ $T_A = 105\text{ }^\circ\text{C}$	$X_{105c}$	% of $I_{PN}$		$\pm 3.2$		

## 9. Electrical data: SFG-2.0P/N

At  $T_A = 25\text{ }^\circ\text{C}$ ,  $V_C = 5\text{ V}$ .

Parameters	Symbol	Unit	Min	Typ	Max	Remark
Primary nominal residual rms current	$I_{PN}$	A		2.0		
Primary residual current, measuring range	$I_{PM}$	A	-3.0		3.0	
Supply voltage	$V_C$	V	4.75	5	5.5	
Current consumption	$I_C$	mA		17.5	21.6	$I_P(\text{mA}) / N_a$ $N_a = 1000\text{ turns}$ - $40\text{ }^\circ\text{C} \dots 105\text{ }^\circ\text{C}$
Reference voltage @ $I_P = 0$	$V_{ref}$	V	2.495	2.5	2.505	Internal reference
External reference voltage	$V_{REF}$	V	2.3		4	Internal reference of $V_{ref}$ input = $499\ \Omega$
Electrical offset current referred to primary	$I_{OE}$	mA	-24	7	24	
Temperature coefficient of VOE @ $I_P = 0$	$TCV_{OE}$	ppm/K			$\pm 570$	ppm/K of 2.5 V - $40 \dots 105\text{ }^\circ\text{C}$
Theoretical sensitivity	$G_{th}$	V/A		0.66		
Sensitivity error	$\epsilon_G$	%	-1.6	0.5	1.6	$R_L > 500\text{ k}\Omega$
Temperature coefficient of G	$TCG$	ppm/K			$\pm 400$	- $40\text{ }^\circ\text{C} \dots 105\text{ }^\circ\text{C}$
Linearity error	$\epsilon_L$	%		0.5	1	
Reaction time @ 10 % of $I_{PRN}$	$t_{ra}$	$\mu\text{s}$		5		$R_L > 500\text{ k}\Omega$ , $di/dt > 5\text{ A}/\mu\text{s}$
Step response time to 90 % of $I_{PN}$	$t_r$	$\mu\text{s}$		50		$R_L > 500\text{ k}\Omega$ , $di/dt > 5\text{ A}/\mu\text{s}$
Frequency bandwidth (-3dB)	BW	kHz		15		$R_L > 500\text{ k}\Omega$
Noise(1 Hz ~ 10 kHz)	$V_{no}$	mV rms		5		$R_L > 500\text{ k}\Omega$
Accuracy@ $I_{PN}$ @ $T_A = 25\text{ }^\circ\text{C}$	$X_{25\text{ }^\circ\text{C}}$	% of $I_{PN}$		$\pm 1.9$		
Accuracy@ $I_{PN}$ @ $T_A = 105\text{ }^\circ\text{C}$	$X_{105\text{ }^\circ\text{C}}$	% of $I_{PN}$		$\pm 3.2$		

## 10. Electrical data: SFG-3.0P/N

At  $T_A = 25\text{ }^\circ\text{C}$ ,  $V_C = 5\text{ V}$ .

Parameters	Symbol	Unit	Min	Typ	Max	Remark
Primary nominal residual rms current	$I_{PN}$	A		3.0		
Primary residual current, measuring range	$I_{PM}$	A	-5		5	
Supply voltage	$V_C$	V	4.75	5	5.5	
Current consumption	$I_C$	mA		17.5	21.6	$I_P(\text{mA}) / N_a$ $N_a = 1000$ turns - $40\text{ }^\circ\text{C} \dots 105\text{ }^\circ\text{C}$
Reference voltage @ $I_P = 0$	$V_{ref}$	V	2.495	2.5	2.505	Internal reference
External reference voltage	$V_{REF}$	V	2.3		4	Internal reference of $V_{ref}$ input = $499\ \Omega$
Electrical offset current referred to primary	$I_{OE}$	mA	-24	7	24	
Temperature coefficient of VOE @ $I_P = 0$	$TCV_{OE}$	ppm/K			$\pm 570$	ppm/K of 2.5 V - $40 \dots 105\text{ }^\circ\text{C}$
Theoretical sensitivity	$G_{th}$	V/A		0.4		
Sensitivity error	$\epsilon_G$	%	-1.6	0.5	1.6	$R_L > 500\text{ k}\Omega$
Temperature coefficient of G	$TCG$	ppm/K			$\pm 400$	- $40\text{ }^\circ\text{C} \dots 105\text{ }^\circ\text{C}$
Linearity error	$\epsilon_L$	%		0.5	1	
Reaction time @ 10 % of $I_{PRN}$	$t_{ra}$	$\mu\text{s}$		5		$R_L > 500\text{ k}\Omega$ , $di/dt > 5\text{ A}/\mu\text{s}$
Step response time to 90 % of $I_{PN}$	$t_r$	$\mu\text{s}$		50		$R_L > 500\text{ k}\Omega$ , $di/dt > 5\text{ A}/\mu\text{s}$
Frequency bandwidth (-3dB)	BW	kHz		15		$R_L > 500\text{ k}\Omega$
Noise(1 Hz ~ 10 kHz)	$V_{no}$	mV rms		10		$R_L > 500\text{ k}\Omega$
Accuracy@ $I_{PN}$ @ $T_A = 25\text{ }^\circ\text{C}$	$X_{25\text{ }^\circ\text{C}}$	% of $I_{PN}$		$\pm 1.9$		
Accuracy@ $I_{PN}$ @ $T_A = 105\text{ }^\circ\text{C}$	$X_{105\text{ }^\circ\text{C}}$	% of $I_{PN}$		$\pm 3.2$		

## 11. Electrical data: SFG-5.0P/N

At  $T_A = 25\text{ }^\circ\text{C}$ ,  $V_C = 5\text{ V}$ .

Parameters	Symbol	Unit	Min	Typ	Max	Remark
Primary nominal residual rms current	$I_{PN}$	A		5		
Primary residual current, measuring range	$I_{PM}$	A	-10		10	
Supply voltage	$V_C$	V	4.75	5	5.5	
Current consumption	$I_C$	mA		17.5	21.6	$I_P(\text{mA}) / N_a$ $N_a = 1000\text{ turns}$ - $40\text{ }^\circ\text{C} \dots 105\text{ }^\circ\text{C}$
Reference voltage @ $I_P = 0$	$V_{ref}$	V	2.495	2.5	2.505	Internal reference
External reference voltage	$V_{REF}$	V	2.3		4	Internal reference of $V_{ref}$ input = $499\ \Omega$
Electrical offset current referred to primary	$I_{OE}$	mA	-24	7	24	
Temperature coefficient of VOE @ $I_P = 0$	$TCV_{OE}$	ppm/K			$\pm 570$	ppm/K of 2.5 V - $40 \dots 105\text{ }^\circ\text{C}$
Theoretical sensitivity	$G_{th}$	V/A		0.2		
Sensitivity error	$\epsilon_G$	%	-1.6	0.5	1.6	$R_L > 500\text{ k}\Omega$
Temperature coefficient of G	$TCG$	ppm/K			$\pm 400$	- $40\text{ }^\circ\text{C} \dots 105\text{ }^\circ\text{C}$
Linearity error	$\epsilon_L$	%		0.5	1	
Reaction time @ 10 % of $I_{PRN}$	$t_{ra}$	$\mu\text{s}$		5		$R_L > 500\text{ k}\Omega$ , $di/dt > 5\text{ A}/\mu\text{s}$
Step response time to 90 % of $I_{PN}$	$t_r$	$\mu\text{s}$		50		$R_L > 500\text{ k}\Omega$ , $di/dt > 5\text{ A}/\mu\text{s}$
Frequency bandwidth (-3dB)	$BW$	kHz		15		$R_L > 500\text{ k}\Omega$
Noise(1 Hz ~ 10 kHz)	$V_{no}$	mV rms		10		$R_L > 500\text{ k}\Omega$
Accuracy@ $I_{PN}$ @ $T_A = 25\text{ }^\circ\text{C}$	$X_{25\text{ }^\circ\text{C}}$	% of $I_{PN}$		$\pm 1.9$		
Accuracy@ $I_{PN}$ @ $T_A = 105\text{ }^\circ\text{C}$	$X_{105\text{ }^\circ\text{C}}$	% of $I_{PN}$		$\pm 3.2$		

## 12. Electrical data: SFG-0.3P/P1

At  $T_A = 25\text{ }^\circ\text{C}$ ,  $V_C = 5\text{ V}$ .

Parameters	Symbol	Unit	Min	Typ	Max	Remark
Primary nominal residual rms current	$I_{PN}$	A		0.3		
Primary residual current, measuring range	$I_{PM}$	A	-0.5		0.5	
Supply voltage	$V_C$	V	4.75	5	5.25	
Current consumption	$I_C$	mA		17.5	21.6	$I_P(\text{mA}) / N_a$ $N_a = 1000\text{ turns}$ - 40°C ... 105°C
Output voltage referred to $V_{ref}$ (Test current)	$V_{out}$	V	0.7	1.2	1.7	
Reference voltage @ $I_P = 0$	$V_{ref}$	V	2.495	2.5	2.505	Internal reference
External reference voltage	$V_{REF}$	V	2.3		4	Internal reference of $V_{ref}$ input = 499 $\Omega$
Electrical offset current referred to primary	$I_{OE}$	mA	-24	7	24	
Temperature coefficient of VOE @ $I_P = 0$	$TCV_{OE}$	ppm/K			$\pm 570$	ppm/K of 2.5 V -40 ... 105 °C
Theoretical sensitivity	$G_{th}$	V/A		4		
Sensitivity error	$\epsilon_G$	%	-1.6	0.5	1.6	$R_L > 500\text{ k}\Omega$
Temperature coefficient of G	$TCG$	ppm/K			$\pm 400$	- 40°C ... 105°C
Linearity error	$\epsilon_L$	%		0.5	1	
Number of turns (test winding)	$N_T$			20		$R_L > 500\text{ k}\Omega$ , $di/dt > 5\text{ A}/\mu\text{s}$
Reaction time @ 10 % of $I_{PRN}$	$t_{ra}$	$\mu\text{s}$		7		$R_L > 500\text{ k}\Omega$ , $di/dt > 5\text{ A}/\mu\text{s}$
Step response time to 90 % of $I_{PN}$	$t_r$	$\mu\text{s}$		50		$R_L > 500\text{ k}\Omega$ , $di/dt > 5\text{ A}/\mu\text{s}$
Frequency bandwidth (-3dB)	BW	kHz		15		$R_L > 500\text{ k}\Omega$
Noise(1 Hz ~ 10 kHz)	$V_{no}$	mV rms		10		$R_L > 500\text{ k}\Omega$
Accuracy@ $I_{PN}$ @TA = 25°C	$X_{25C}$	% of $I_{PN}$		$\pm 1.9$		
Accuracy@ $I_{PN}$ @TA = 105°C	$X_{105C}$	% of $I_{PN}$		$\pm 3.2$		

### 13. Electrical data: SFG-0.6P/P1

At  $T_A = 25\text{ }^\circ\text{C}$ ,  $V_C = 5\text{ V}$ .

Parameters	Symbol	Unit	Min	Typ	Max	Remark
Primary nominal residual rms current	$I_{PN}$	A		0.6		
Primary residual current, measuring range	$I_{PM}$	A	-0.85		0.85	
Supply voltage	$V_C$	V	4.75	5	5.25	
Current consumption	$I_C$	mA		17.5	21.6	$I_P(\text{mA}) / N_a$ $N_a = 1000\text{ turns}$ - 40°C ... 105°C
Output voltage referred to $V_{ref}$ (Test current)	$V_{out}$	V	0.4	0.75	1.1	
Reference voltage @ $I_P = 0$	$V_{ref}$	V	2.495	2.5	2.505	Internal reference
External reference voltage	$V_{REF}$	V	2.3		4	Internal reference of $V_{ref}$ input = 499 $\Omega$
Electrical offset current referred to primary	$I_{OE}$	mA	-24	4.2	24	
Temperature coefficient of VOE @ $I_P = 0$	$TCV_{OE}$	ppm/K			$\pm 520$	ppm/K of 2.5 V -40 ... 105 °C
Theoretical sensitivity	$G_{th}$	V/A		2.476		
Sensitivity error	$\epsilon_G$	%	-0.7	0.5	0.7	$R_L > 500\text{ k}\Omega$
Temperature coefficient of G	$TCG$	ppm/K			$\pm 100$	- 40°C ... 105°C
Linearity error	$\epsilon_L$	%		0.4	1.3	
Number of turns (test winding)	$N_T$			20		$R_L > 500\text{ k}\Omega$ , $di/dt > 5\text{ A}/\mu\text{s}$
Reaction time @ 10 % of $I_{PRN}$	$t_{ra}$	$\mu\text{s}$		5		$R_L > 500\text{ k}\Omega$ , $di/dt > 5\text{ A}/\mu\text{s}$
Step response time to 90 % of $I_{PN}$	$t_r$	$\mu\text{s}$		40		$R_L > 500\text{ k}\Omega$
Frequency bandwidth (-3dB)	BW	kHz		15		$R_L > 500\text{ k}\Omega$
Noise(1 Hz ~ 10 kHz)	$V_{no}$	mV rms		10		
Accuracy@ $I_{PN}$ @TA = 25°C	$X_{25C}$	% of $I_{PN}$		$\pm 1.9$		
Accuracy@ $I_{PN}$ @TA = 105°C	$X_{105C}$	% of $I_{PN}$		$\pm 3.2$		

## 14. Electrical data: SFG-1.0P/P1

At  $T_A = 25\text{ }^\circ\text{C}$ ,  $V_C = 5\text{ V}$ .

Parameters	Symbol	Unit	Min	Typ	Max	Remark
Primary nominal residual rms current	$I_{PN}$	A		1		
Primary residual current, measuring range	$I_{PM}$	A	-1.7		1.7	
Supply voltage	$V_C$	V	4.75	5	5.25	
Current consumption	$I_C$	mA		17.5	21.6	$I_P(\text{mA}) / N_a$ $N_a = 1000\text{ turns}$ - 40°C ... 105°C
Output voltage referred to $V_{ref}$ (Test current)	$V_{out}$	V	0.2	0.35	0.5	
Reference voltage @ $I_P = 0$	$V_{ref}$	V	2.495	2.5	2.505	Internal reference
External reference voltage	$V_{REF}$	V	2.3		4	Internal reference of $V_{ref}$ input = 499 $\Omega$
Electrical offset current referred to primary	$I_{OE}$	mA	-24	7	24	
Temperature coefficient of VOE @ $I_P = 0$	$TCV_{OE}$	ppm/K		$\pm 50$	$\pm 500$	ppm/K of 2.5 V -40 ... 105 $^\circ\text{C}$
Theoretical sensitivity	$G_{th}$	V/A		1.2		
Sensitivity error	$\epsilon_G$	%	-1.6	0.5	1.6	$R_L > 500\text{ k}\Omega$
Temperature coefficient of G	$TCG$	ppm/K			$\pm 400$	- 40°C ... 105°C
Linearity error	$\epsilon_L$	%		0.5	1	
Number of turns (test winding)	$N_T$			20		$R_L > 500\text{ k}\Omega$ , $di/dt > 5\text{ A}/\mu\text{s}$
Reaction time @ 10 % of $I_{PRN}$	$t_{ra}$	$\mu\text{s}$		7		$R_L > 500\text{ k}\Omega$ , $di/dt > 5\text{ A}/\mu\text{s}$
Step response time to 90 % of $I_{PN}$	$t_r$	$\mu\text{s}$		50		$R_L > 500\text{ k}\Omega$ , $di/dt > 5\text{ A}/\mu\text{s}$
Frequency bandwidth (-3dB)	BW	kHz		15		$R_L > 500\text{ k}\Omega$
Noise(1 Hz ~ 10 kHz)	$V_{no}$	mV rms		10		$R_L > 500\text{ k}\Omega$
Accuracy@ $I_{PN}$ @ $T_A = 25\text{ }^\circ\text{C}$	$X_{25C}$	% of $I_{PN}$		$\pm 1.9$		
Accuracy@ $I_{PN}$ @ $T_A = 105\text{ }^\circ\text{C}$	$X_{105C}$	% of $I_{PN}$		$\pm 3.2$		



## 15. Electrical data: SFG-1.5P/P1

At  $T_A = 25\text{ }^\circ\text{C}$ ,  $V_C = 5\text{ V}$ .

Parameters	Symbol	Unit	Min	Typ	Max	Remark
Primary nominal residual rms current	$I_{PN}$	A		1.5		
Primary residual current, measuring range	$I_{PM}$	A	-2		2	
Supply voltage	$V_C$	V	4.75	5	5.5	
Current consumption	$I_C$	mA		17.5	21.6	$I_P(\text{mA}) / N_a$ $N_a = 1000$ turns - $40\text{ }^\circ\text{C} \dots 105\text{ }^\circ\text{C}$
Output voltage referred to $V_{ref}$ (Test current)	$V_{out}$	V	0.12		0.5	
Reference voltage @ $I_P = 0$	$V_{ref}$	V	2.495	2.5	2.505	Internal reference
External reference voltage	$V_{REF}$	V	2.3		4	Internal reference of $V_{ref}$ input = $499\ \Omega$
Electrical offset current referred to primary	$I_{OE}$	mA	-30	4.2	30	
Temperature coefficient of VOE @ $I_P = 0$	$TCV_{OE}$	ppm/K			$\pm 570$	ppm/K of 2.5 V - $40 \dots 105\text{ }^\circ\text{C}$
Theoretical sensitivity	$G_{th}$	V/A		0.8		
Sensitivity error	$\epsilon_G$	%	-1.6	0.5	1.6	$R_L > 500\text{ k}\Omega$
Temperature coefficient of G	$TCG$	ppm/K			$\pm 400$	- $40\text{ }^\circ\text{C} \dots 105\text{ }^\circ\text{C}$
Linearity error	$\epsilon_L$	%		0.5	1	
Number of turns (test winding)	$N_T$			20		$R_L > 500\text{ k}\Omega$ , $di/dt > 5\text{ A}/\mu\text{s}$
Reaction time @ 10 % of $I_{PRN}$	$t_{ra}$	$\mu\text{s}$		5		$R_L > 500\text{ k}\Omega$ , $di/dt > 5\text{ A}/\mu\text{s}$
Step response time to 90 % of $I_{PN}$	$t_r$	$\mu\text{s}$		50		$R_L > 500\text{ k}\Omega$ , $di/dt > 5\text{ A}/\mu\text{s}$
Frequency bandwidth (-3dB)	$BW$	kHz		15		$R_L > 500\text{ k}\Omega$
Noise(1 Hz ~ 10 kHz)	$V_{no}$	mV rms		10		$R_L > 500\text{ k}\Omega$
Accuracy@ $I_{PN}$ @ $T_A = 25\text{ }^\circ\text{C}$	$X_{25c}$	% of $I_{PN}$		$\pm 1.9$		
Accuracy@ $I_{PN}$ @ $T_A = 105\text{ }^\circ\text{C}$	$X_{105c}$	% of $I_{PN}$		$\pm 3.2$		

## 16. Electrical data: SFG-2.0P/P1

At  $T_A = 25\text{ }^\circ\text{C}$ ,  $V_C = 5\text{ V}$ .

Parameters	Symbol	Unit	Min	Typ	Max	Remark
Primary nominal residual rms current	$I_{PN}$	A		2		
Primary residual current, measuring range	$I_{PM}$	A	-3		3	
Supply voltage	$V_C$	V	4.75	5	5.5	
Current consumption	$I_C$	mA		17.5	21.6	$I_P(\text{mA}) / N_a$ $N_a = 1000\text{ turns}$ - $40\text{ }^\circ\text{C} \dots 105\text{ }^\circ\text{C}$
Reference voltage @ $I_P = 0$	$V_{ref}$	V	2.495	2.5	2.505	Internal reference
External reference voltage	$V_{REF}$	V	2.3		4	Internal reference of $V_{ref}$ input = $499\ \Omega$
Electrical offset current referred to primary	$I_{OE}$	mA	-24	7	24	
Temperature coefficient of VOE @ $I_P = 0$	$TCV_{OE}$	ppm/K			570	ppm/K of 2.5 V - $40 \dots 105\text{ }^\circ\text{C}$
Theoretical sensitivity	$G_{th}$	V/A		0.66		
Sensitivity error	$\epsilon_G$	%	-1.6	0.5	1.6	$R_L > 500\text{ k}\Omega$
Temperature coefficient of G	$TCG$	ppm/K		$\pm 400$		- $40\text{ }^\circ\text{C} \dots 105\text{ }^\circ\text{C}$
Linearity error	$\epsilon_L$	%		0.5	1	
Number of turns (test winding)	$N_T$			20		$R_L > 500\text{ k}\Omega$ , $di/dt > 5\text{ A}/\mu\text{s}$
Reaction time @ 10 % of $I_{PRN}$	$t_{ra}$	$\mu\text{s}$		5		$R_L > 500\text{ k}\Omega$ , $di/dt > 5\text{ A}/\mu\text{s}$
Step response time to 90 % of $I_{PN}$	$t_r$	$\mu\text{s}$		40		$R_L > 500\text{ k}\Omega$
Frequency bandwidth (-3dB)	$BW$	kHz		15		$R_L > 500\text{ k}\Omega$
Noise(1 Hz ~ 10 kHz)	$V_{no}$	mV rms		10		
Accuracy@ $I_{PN}$ @ $T_A = 25\text{ }^\circ\text{C}$	$X_{25\text{ }^\circ\text{C}}$	% of $I_{PN}$		$\pm 1.9$		
Accuracy@ $I_{PN}$ @ $T_A = 105\text{ }^\circ\text{C}$	$X_{105\text{ }^\circ\text{C}}$	% of $I_{PN}$		$\pm 3.2$		

## 17. Electrical data: SFG-3.0P/P1

At  $T_A = 25\text{ }^\circ\text{C}$ ,  $V_C = 5\text{ V}$ .

Parameters	Symbol	Unit	Min	Typ	Max	Remark
Primary nominal residual rms current	$I_{PN}$	A		3		
Primary residual current, measuring range	$I_{PM}$	A	-5		5	
Supply voltage	$V_C$	V	4.75	5	5.5	
Current consumption	$I_C$	mA		17.5	21.6	$I_P(\text{mA}) / N_a$ $N_a = 1000$ turns - $40\text{ }^\circ\text{C} \dots 105\text{ }^\circ\text{C}$
Reference voltage @ $I_P = 0$	$V_{ref}$	V	2.495	2.5	2.505	Internal reference
External reference voltage	$V_{REF}$	V	2.3		4	Internal reference of $V_{ref}$ input = $499\ \Omega$
Electrical offset current referred to primary	$I_{OE}$	mA	-24	7	24	
Temperature coefficient of VOE @ $I_P = 0$	$TCV_{OE}$	ppm/K			570	ppm/K of 2.5 V - $40 \dots 105\text{ }^\circ\text{C}$
Theoretical sensitivity	$G_{th}$	V/A		0.4		
Sensitivity error	$\epsilon_G$	%	-1.6	0.5	1.6	$R_L > 500\text{ k}\Omega$
Temperature coefficient of G	$TCG$	ppm/K		$\pm 400$		- $40\text{ }^\circ\text{C} \dots 105\text{ }^\circ\text{C}$
Linearity error	$\epsilon_L$	%		0.5	1	
Number of turns (test winding)	$N_T$			20		$R_L > 500\text{ k}\Omega$ , $di/dt > 5\text{ A}/\mu\text{s}$
Reaction time @ 10 % of $I_{PRN}$	$t_{ra}$	$\mu\text{s}$		5		$R_L > 500\text{ k}\Omega$ , $di/dt > 5\text{ A}/\mu\text{s}$
Step response time to 90 % of $I_{PN}$	$t_r$	$\mu\text{s}$		40		$R_L > 500\text{ k}\Omega$
Frequency bandwidth (-3dB)	$BW$	kHz		15		$R_L > 500\text{ k}\Omega$
Noise(1 Hz ~ 10 kHz)	$V_{no}$	mV rms		10		
Accuracy@ $I_{PN}$ @ $T_A = 25\text{ }^\circ\text{C}$	$X_{25\text{ }^\circ\text{C}}$	% of $I_{PN}$		$\pm 1.9$		
Accuracy@ $I_{PN}$ @ $T_A = 105\text{ }^\circ\text{C}$	$X_{105\text{ }^\circ\text{C}}$	% of $I_{PN}$		$\pm 3.2$		

## 18. Electrical data: SFG-5.0P/P1

At  $T_A = 25\text{ }^\circ\text{C}$ ,  $V_C = 5\text{ V}$ .

Parameters	Symbol	Unit	Min	Typ	Max	Remark
Primary nominal residual rms current	$I_{PN}$	A		5		
Primary residual current, measuring range	$I_{PM}$	A	-10		10	
Supply voltage	$V_C$	V	4.75	5	5.5	
Current consumption	$I_C$	mA		17.5	21.6	$I_P(\text{mA}) / N_a$ $N_a = 1000\text{ turns}$ - $40\text{ }^\circ\text{C} \dots 105\text{ }^\circ\text{C}$
Reference voltage @ $I_P = 0$	$V_{ref}$	V	2.495	2.5	2.505	Internal reference
External reference voltage	$V_{REF}$	V	2.3		4	Internal reference of $V_{ref}$ input = $499\ \Omega$
Electrical offset current referred to primary	$I_{OE}$	mA	-24	7	24	
Temperature coefficient of VOE @ $I_P = 0$	$TCV_{OE}$	ppm/K			570	ppm/K of 2.5 V - $40 \dots 105\text{ }^\circ\text{C}$
Theoretical sensitivity	$G_{th}$	V/A		0.2		
Sensitivity error	$\epsilon_G$	%	-1.6	0.5	1.6	$R_L > 500\text{ k}\Omega$
Temperature coefficient of G	$TCG$	ppm/K		$\pm 400$		- $40\text{ }^\circ\text{C} \dots 105\text{ }^\circ\text{C}$
Linearity error	$\epsilon_L$	%		0.5	1	
Number of turns (test winding)	$N_T$			20		$R_L > 500\text{ k}\Omega$ , $di/dt > 5\text{ A}/\mu\text{s}$
Reaction time @ 10 % of $I_{PRN}$	$t_{ra}$	$\mu\text{s}$		5		$R_L > 500\text{ k}\Omega$ , $di/dt > 5\text{ A}/\mu\text{s}$
Step response time to 90 % of $I_{PN}$	$t_r$	$\mu\text{s}$		40		$R_L > 500\text{ k}\Omega$
Frequency bandwidth (-3dB)	$BW$	kHz		15		$R_L > 500\text{ k}\Omega$
Noise(1 Hz ~ 10 kHz)	$V_{no}$	mV rms		10		
Accuracy@ $I_{PN}$ @ $T_A = 25\text{ }^\circ\text{C}$	$X_{25\text{ }^\circ\text{C}}$	% of $I_{PN}$		$\pm 1.9$		
Accuracy@ $I_{PN}$ @ $T_A = 105\text{ }^\circ\text{C}$	$X_{105\text{ }^\circ\text{C}}$	% of $I_{PN}$		$\pm 3.2$		

## 19. Electrical data: SFG-0.3P/P2

At  $T_A = 25\text{ }^\circ\text{C}$ ,  $V_C = 5\text{ V}$ .

Parameters	Symbol	Unit	Min	Typ	Max	Remark
Primary nominal residual rms current	$I_{PN}$	A		0.3		
Primary residual current, measuring range	$I_{PM}$	A	-0.5		0.5	
Supply voltage	$V_C$	V	4.75	5	5.25	
Current consumption	$I_C$	mA		17.5	21.6	$I_P(\text{mA}) / N_a$ $N_a = 1000$ turns - $40\text{ }^\circ\text{C} \dots 105\text{ }^\circ\text{C}$
Output voltage referred to $V_{ref}$ (Test current)	$V_{out}$	V	0.7	1.2	1.7	
Reference voltage @ $I_P = 0$	$V_{ref}$	V	2.495	2.5	2.505	Internal reference
External reference voltage	$V_{REF}$	V	2.3		4	Internal reference of $V_{ref}$ input = $499\ \Omega$
Electrical offset current referred to primary	$I_{OE}$	mA	-24	7	24	
Temperature coefficient of VOE @ $I_P = 0$	$TCV_{OE}$	ppm/K			$\pm 570$	ppm/K of 2.5 V - $40 \dots 105\text{ }^\circ\text{C}$
Theoretical sensitivity	$G_{th}$	V/A		4		
Sensitivity error	$\epsilon_G$	%	-1.6	0.5	1.6	$R_L > 500\text{ k}\Omega$
Temperature coefficient of G	$TCG$	ppm/K			$\pm 400$	- $40\text{ }^\circ\text{C} \dots 105\text{ }^\circ\text{C}$
Linearity error	$\epsilon_L$	%		0.5	1	
Check current	$I_{CK}$	mA		100		10%
Output voltage(Check function)	$V_{CK}$	V		$V_{OS}+0.4$		
Check enable voltage	$V_{CE}$	V	3.3		$V_C$	
Check disabled voltage	$V_{CD}$	V		$< 0.2$		
Reaction time @ 10 % of $I_{PRN}$	$t_{ra}$	$\mu\text{s}$		7		$R_L > 500\text{ k}\Omega$ , $di/dt > 5\text{ A}/\mu\text{s}$
Step response time to 90 % of $I_{PN}$	$t_r$	$\mu\text{s}$		50		$R_L > 500\text{ k}\Omega$ , $di/dt > 5\text{ A}/\mu\text{s}$
Frequency bandwidth (-3dB)	BW	kHz		15		$R_L > 500\text{ k}\Omega$
Noise(1 Hz ~ 10 kHz)	$V_{no}$	mV rms		10		$R_L > 500\text{ k}\Omega$
Accuracy@ $I_{PN}$ @ $T_A = 25\text{ }^\circ\text{C}$	$X_{25\text{ }^\circ\text{C}}$	% of $I_{PN}$		$\pm 1.9$		
Accuracy@ $I_{PN}$ @ $T_A = 105\text{ }^\circ\text{C}$	$X_{105\text{ }^\circ\text{C}}$	% of $I_{PN}$		$\pm 3.2$		

## 20. Electrical data: SFG-0.6P/P2

At  $T_A = 25\text{ }^\circ\text{C}$ ,  $V_C = 5\text{ V}$ .

Parameters	Symbol	Unit	Min	Typ	Max	Remark
Primary nominal residual rms current	$I_{PN}$	A		0.6		
Primary residual current, measuring range	$I_{PM}$	A	-0.85		0.85	
Supply voltage	$V_C$	V	4.75	5	5.25	
Current consumption	$I_C$	mA		17.5	21.6	$I_P(\text{mA}) / N_a$ $N_a = 1000\text{ turns}$ - $40\text{ }^\circ\text{C} \dots 105\text{ }^\circ\text{C}$
Output voltage referred to $V_{ref}$ (Test current)	$V_{out}$	V	0.4	0.75	1.1	
Reference voltage @ $I_P = 0$	$V_{ref}$	V	2.495	2.5	2.505	Internal reference
External reference voltage	$V_{REF}$	V	2.3		4	Internal reference of $V_{ref}$ input = $499\ \Omega$
Electrical offset current referred to primary	$I_{OE}$	mA	-24	4.2	24	
Temperature coefficient of VOE @ $I_P = 0$	$TCV_{OE}$	ppm/K			$\pm 520$	ppm/K of 2.5 V - $40 \dots 105\text{ }^\circ\text{C}$
Theoretical sensitivity	$G_{th}$	V/A		2.476		
Sensitivity error	$\epsilon_G$	%	-0.7	0.5	0.7	$R_L > 500\text{ k}\Omega$
Temperature coefficient of G	$TCG$	ppm/K			$\pm 100$	- $40\text{ }^\circ\text{C} \dots 105\text{ }^\circ\text{C}$
Linearity error	$\epsilon_L$	%		0.4	1.3	
Check current	$I_{CK}$	mA		100		10%
Output voltage(Check function)	$V_{CK}$	V		$V_{OS}+0.25$		
Check enable voltage	$V_{CE}$	V	3.3		$V_C$	
Check disabled voltage	$V_{CD}$	V		$< 0.2$		
Reaction time @ 10 % of $I_{PRN}$	$t_{ra}$	$\mu\text{s}$		5		$R_L > 500\text{ k}\Omega$ , $di/dt > 5\text{ A}/\mu\text{s}$
Step response time to 90 % of $I_{PN}$	$t_r$	$\mu\text{s}$		40		$R_L > 500\text{ k}\Omega$
Frequency bandwidth (-3dB)	$BW$	kHz		15		$R_L > 500\text{ k}\Omega$
Noise(1 Hz ~ 10 kHz)	$V_{no}$	mV rms		10		
Accuracy@ $I_{PN}$ @ $T_A = 25\text{ }^\circ\text{C}$	$X_{25\text{ }^\circ\text{C}}$	% of $I_{PN}$		$\pm 1.9$		
Accuracy@ $I_{PN}$ @ $T_A = 105\text{ }^\circ\text{C}$	$X_{105\text{ }^\circ\text{C}}$	% of $I_{PN}$		$\pm 3.2$		

## 21. Electrical data: SFG-1.0P/P2

At  $T_A = 25\text{ }^\circ\text{C}$ ,  $V_C = 5\text{ V}$ .

Parameters	Symbol	Unit	Min	Typ	Max	Remark
Primary nominal residual rms current	$I_{PN}$	A	-1.02		1.02	
Primary residual current, measuring range	$I_{PM}$	A	-1.7		1.7	
Supply voltage	$V_C$	V	4.75	5	5.25	
Current consumption	$I_C$	mA		17.5	21.6	$I_P(\text{mA}) / N_a$ $N_a = 1000$ turns - $40\text{ }^\circ\text{C} \dots 105\text{ }^\circ\text{C}$
Output voltage referred to $V_{ref}$ (Test current)	$V_{out}$	V	0.2	0.35	0.5	
Reference voltage @ $I_P = 0$	$V_{ref}$	V	2.495	2.5	2.505	Internal reference
External reference voltage	$V_{REF}$	V	2.3		4	Internal reference of $V_{ref}$ input = $499\ \Omega$
Electrical offset current referred to primary	$I_{OE}$	mA	-24	7	24	
Temperature coefficient of VOE @ $I_P = 0$	$TCV_{OE}$	ppm/K		$\pm 50$	$\pm 570$	ppm/K of 2.5 V - $40 \dots 105\text{ }^\circ\text{C}$
Theoretical sensitivity	$G_{th}$	V/A		1.17		
Sensitivity error	$\epsilon_G$	%	-1.6	0.5	1.6	$R_L > 500\text{ k}\Omega$
Temperature coefficient of G	$TCG$	ppm/K		$\pm 400$		- $40\text{ }^\circ\text{C} \dots 105\text{ }^\circ\text{C}$
Linearity error	$\epsilon_L$	%		0.5	1	
Check current	$I_{CK}$	mA		170		10%
Output voltage(Check function)	$V_{CK}$	V		VOS+0.2		
Check enable voltage	$V_{CE}$	V	3.3		$V_C$	
Check disabled voltage	$V_{CD}$	V		< 0.2		
Reaction time @ 10 % of $I_{PRN}$	$t_{ra}$	$\mu\text{s}$		7		$R_L > 500\text{ k}\Omega$ , $di/dt > 5\text{ A}/\mu\text{s}$
Step response time to 90 % of $I_{PN}$	$t_r$	$\mu\text{s}$		50		$R_L > 500\text{ k}\Omega$ , $di/dt > 5\text{ A}/\mu\text{s}$
Frequency bandwidth (-3dB)	BW	kHz		15		$R_L > 500\text{ k}\Omega$
Noise(1 Hz ~ 10 kHz)	$V_{no}$	mV rms		10		$R_L > 500\text{ k}\Omega$
Accuracy@ $I_{PN}$ @ $T_A = 25\text{ }^\circ\text{C}$	$X_{25c}$	% of $I_{PN}$		$\pm 1.9$		
Accuracy@ $I_{PN}$ @ $T_A = 105\text{ }^\circ\text{C}$	$X_{105c}$	% of $I_{PN}$		$\pm 3.2$		

## 22. Electrical data: SFG-1.5P/P2

At  $T_A = 25\text{ }^\circ\text{C}$ ,  $V_C = 5\text{ V}$ .

Parameters	Symbol	Unit	Min	Typ	Max	Remark
Primary nominal residual rms current	$I_{PN}$	A		1.5		
Primary residual current, measuring range	$I_{PM}$	A	-2		2	
Supply voltage	$V_C$	V	4.75	5	5.5	
Current consumption	$I_C$	mA		17.5	21.6	$I_P(\text{mA}) / N_a$ $N_a = 1000\text{ turns}$ $-40\text{ }^\circ\text{C} \dots 105\text{ }^\circ\text{C}$
Output voltage referred to $V_{ref}$ (Test current)	$V_{out}$	V	0.12		0.5	
Reference voltage @ $I_P = 0$	$V_{ref}$	V	2.495	2.5	2.505	Internal reference
External reference voltage	$V_{REF}$	V	2.3		4	Internal reference of $V_{ref}$ input = $499\ \Omega$
Electrical offset current referred to primary	$I_{OE}$	mA	-30	4.2	30	
Temperature coefficient of VOE @ $I_P = 0$	$TCV_{OE}$	ppm/K			$\pm 570$	ppm/K of 2.5 V $-40 \dots 105\text{ }^\circ\text{C}$
Theoretical sensitivity	$G_{th}$	V/A		0.8		
Sensitivity error	$\epsilon_G$	%	-1.6	0.5	1.6	$R_L > 500\text{ k}\Omega$
Temperature coefficient of G	$TCG$	ppm/K			$\pm 400$	$-40\text{ }^\circ\text{C} \dots 105\text{ }^\circ\text{C}$
Linearity error	$\epsilon_L$	%		0.5	1	
Check current	$I_{CK}$	mA		100		10%
Output voltage(Check function)	$V_{CK}$	V		VOS+0.08		
Check enable voltage	$V_{CE}$	V	3.3		$V_C$	
Check disabled voltage	$V_{CD}$	V		< 0.2		
Reaction time @ 10 % of $I_{PRN}$	$t_{ra}$	$\mu\text{s}$		5		$R_L > 500\text{ k}\Omega$ , $di/dt > 5\text{ A}/\mu\text{s}$
Step response time to 90 % of $I_{PN}$	$t_r$	$\mu\text{s}$		50		$R_L > 500\text{ k}\Omega$ , $di/dt > 5\text{ A}/\mu\text{s}$
Frequency bandwidth (-3dB)	BW	kHz		15		$R_L > 500\text{ k}\Omega$
Noise(1 Hz ~ 10 kHz)	$V_{no}$	mV rms		10		$R_L > 500\text{ k}\Omega$
Accuracy@ $I_{PN}$ @ $T_A = 25\text{ }^\circ\text{C}$	$X_{25^\circ\text{C}}$	% of $I_{PN}$		$\pm 1.9$		
Accuracy@ $I_{PN}$ @ $T_A = 105\text{ }^\circ\text{C}$	$X_{105^\circ\text{C}}$	% of $I_{PN}$		$\pm 3.2$		



## 23. Electrical data: SFG-2.0P/P2

At  $T_A = 25\text{ }^\circ\text{C}$ ,  $V_C = 5\text{ V}$ .

Parameters	Symbol	Unit	Min	Typ	Max	Remark
Primary nominal residual rms current	$I_{PN}$	A		2		
Primary residual current, measuring range	$I_{PM}$	A	-3		3	
Supply voltage	$V_C$	V	4.75	5	5.5	
Current consumption	$I_C$	mA		17.5	21.6	$I_P(\text{mA}) / N_a$ $N_a = 1000$ turns - $40\text{ }^\circ\text{C} \dots 105\text{ }^\circ\text{C}$
Reference voltage @ $I_P = 0$	$V_{ref}$	V	2.495	2.5	2.505	Internal reference
External reference voltage	$V_{REF}$	V	2.3		4	Internal reference of $V_{ref}$ input = $499\ \Omega$
Electrical offset current referred to primary	$I_{OE}$	mA	-24	7	24	
Temperature coefficient of $V_{OE}$ @ $I_P = 0$	$TCV_{OE}$	ppm/K			570	ppm/K of 2.5 V - $40 \dots 105\text{ }^\circ\text{C}$
Theoretical sensitivity	$G_{th}$	V/A		0.66		
Sensitivity error	$\epsilon_G$	%	-1.6	0.5	1.6	$R_L > 500\text{ k}\Omega$
Temperature coefficient of G	$TCG$	ppm/K		$\pm 400$		- $40\text{ }^\circ\text{C} \dots 105\text{ }^\circ\text{C}$
Linearity error	$\epsilon_L$	%		0.5	1	
Check current	$I_{CK}$	mA		100		10%
Output voltage(Check function)	$V_{CK}$	V		$V_{OS}+0.066$		
Check enable voltage	$V_{CE}$	V	3.3		$V_C$	
Check disabled voltage	$V_{CD}$	V		$< 0.2$		
Reaction time @ 10 % of $I_{PRN}$	$t_{ra}$	$\mu\text{s}$		5		$R_L > 500\text{ k}\Omega$ , $di/dt > 5\text{ A}/\mu\text{s}$
Step response time to 90 % of $I_{PN}$	$t_r$	$\mu\text{s}$		40		$R_L > 500\text{ k}\Omega$
Frequency bandwidth (-3dB)	BW	kHz		15		$R_L > 500\text{ k}\Omega$
Noise(1 Hz ~ 10 kHz)	$V_{no}$	mV rms		10		
Accuracy@ $I_{PN}$ @ $T_A = 25\text{ }^\circ\text{C}$	$X_{25\text{ }^\circ\text{C}}$	% of $I_{PN}$		$\pm 1.9$		
Accuracy@ $I_{PN}$ @ $T_A = 105\text{ }^\circ\text{C}$	$X_{105\text{ }^\circ\text{C}}$	% of $I_{PN}$		$\pm 3.2$		

## 24. Electrical data: SFG-3.0P/P2

At  $T_A = 25\text{ }^\circ\text{C}$ ,  $V_C = 5\text{ V}$ .

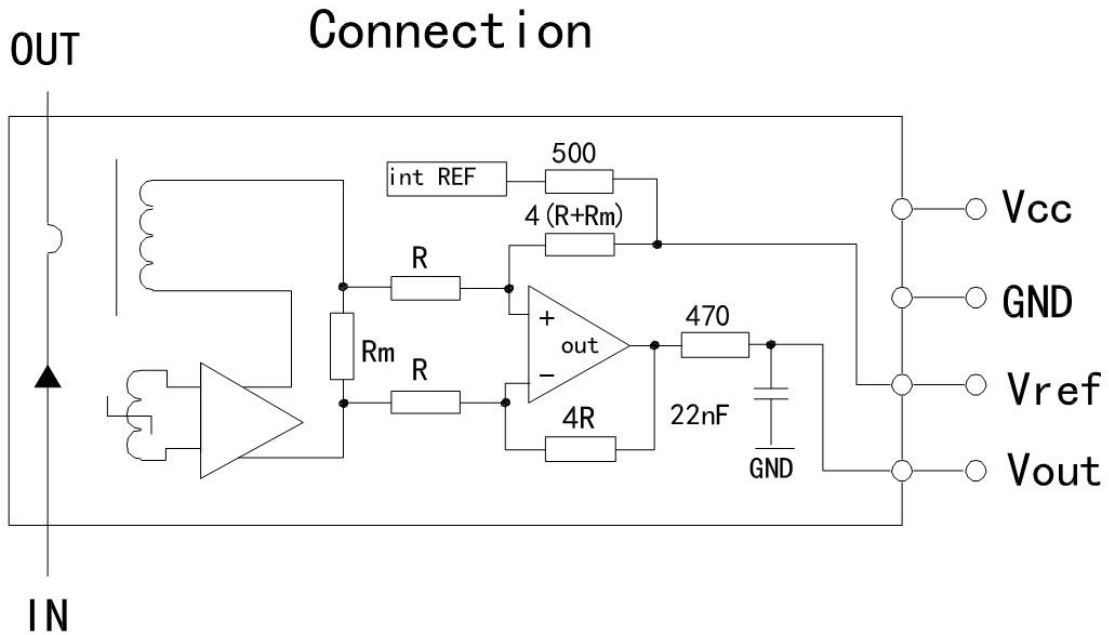
Parameters	Symbol	Unit	Min	Typ	Max	Remark
Primary nominal residual rms current	$I_{PN}$	A		3		
Primary residual current, measuring range	$I_{PM}$	A	-5		5	
Supply voltage	$V_C$	V	4.75	5	5.5	
Current consumption	$I_C$	mA		17.5	21.6	$I_P(\text{mA}) / N_a$ $N_a = 1000$ turns - $40\text{ }^\circ\text{C} \dots 105\text{ }^\circ\text{C}$
Reference voltage @ $I_P = 0$	$V_{ref}$	V	2.495	2.5	2.505	Internal reference
External reference voltage	$V_{REF}$	V	2.3		4	Internal reference of $V_{ref}$ input = $499\ \Omega$
Electrical offset current referred to primary	$I_{OE}$	mA	-24	7	24	
Temperature coefficient of VOE @ $I_P = 0$	$TCV_{OE}$	ppm/K			570	ppm/K of 2.5 V - $40 \dots 105\text{ }^\circ\text{C}$
Theoretical sensitivity	$G_{th}$	V/A		0.4		
Sensitivity error	$\epsilon_G$	%	-1.6	0.5	1.6	$R_L > 500\text{ k}\Omega$
Temperature coefficient of G	$TCG$	ppm/K		$\pm 400$		- $40\text{ }^\circ\text{C} \dots 105\text{ }^\circ\text{C}$
Linearity error	$\epsilon_L$	%		0.5	1	
Check current	$I_{CK}$	mA		100		10%
Output voltage(Check function)	$V_{CK}$	V		$V_{OS}+0.04$		
Check enable voltage	$V_{CE}$	V	3.3		$V_C$	
Check disabled voltage	$V_{CD}$	V		$< 0.2$		
Reaction time @ 10 % of $I_{PRN}$	$t_{ra}$	$\mu\text{s}$		5		$R_L > 500\text{ k}\Omega$ , $di/dt > 5\text{ A}/\mu\text{s}$
Step response time to 90 % of $I_{PN}$	$t_r$	$\mu\text{s}$		40		$R_L > 500\text{ k}\Omega$
Frequency bandwidth (-3dB)	BW	kHz		15		$R_L > 500\text{ k}\Omega$
Noise(1 Hz ~ 10 kHz)	$V_{no}$	mV rms		10		
Accuracy@ $I_{PN}$ @ $T_A = 25\text{ }^\circ\text{C}$	$X_{25\text{ }^\circ\text{C}}$	% of $I_{PN}$		$\pm 1.9$		
Accuracy@ $I_{PN}$ @ $T_A = 105\text{ }^\circ\text{C}$	$X_{105\text{ }^\circ\text{C}}$	% of $I_{PN}$		$\pm 3.2$		

## 25. Electrical data: SFG-3.0P/P2

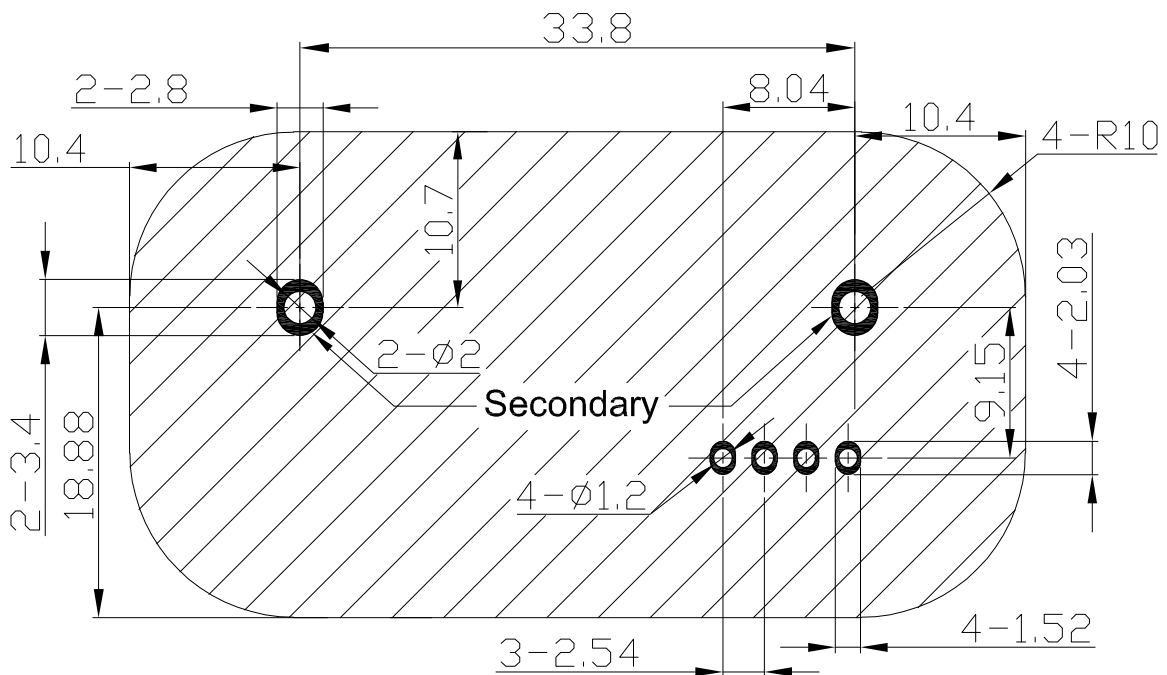
At  $T_A = 25\text{ }^\circ\text{C}$ ,  $V_C = 5\text{ V}$ .

Parameters	Symbol	Unit	Min	Typ	Max	Remark
Primary nominal residual rms current	$I_{PN}$	A		5		
Primary residual current, measuring range	$I_{PM}$	A	-10		10	
Supply voltage	$V_C$	V	4.75	5	5.5	
Current consumption	$I_C$	mA		17.5	21.6	$I_P(\text{mA}) / N_a$ $N_a = 1000$ turns - $40\text{ }^\circ\text{C} \dots 105\text{ }^\circ\text{C}$
Reference voltage @ $I_P = 0$	$V_{ref}$	V	2.495	2.5	2.505	Internal reference
External reference voltage	$V_{REF}$	V	2.3		4	Internal reference of $V_{ref}$ input = $499\ \Omega$
Electrical offset current referred to primary	$I_{OE}$	mA	-24	7	24	
Temperature coefficient of VOE @ $I_P = 0$	$TCV_{OE}$	ppm/K			570	ppm/K of 2.5 V - $40 \dots 105\text{ }^\circ\text{C}$
Theoretical sensitivity	$G_{th}$	V/A		0.2		
Sensitivity error	$\epsilon_G$	%	-1.6	0.5	1.6	$R_L > 500\text{ k}\Omega$
Temperature coefficient of G	$TCG$	ppm/K		$\pm 400$		- $40\text{ }^\circ\text{C} \dots 105\text{ }^\circ\text{C}$
Linearity error	$\epsilon_L$	%		0.5	1	
Check current	$I_{CK}$	mA		100		10%
Output voltage(Check function)	$V_{CK}$	V		$V_{OS}+0.02$		
Check enable voltage	$V_{CE}$	V	3.3		$V_C$	
Check disabled voltage	$V_{CD}$	V		$< 0.2$		
Reaction time @ 10 % of $I_{PRN}$	$t_{ra}$	$\mu\text{s}$		5		$R_L > 500\text{ k}\Omega$ , $di/dt > 5\text{ A}/\mu\text{s}$
Step response time to 90 % of $I_{PN}$	$t_r$	$\mu\text{s}$		40		$R_L > 500\text{ k}\Omega$
Frequency bandwidth (-3dB)	BW	kHz		15		$R_L > 500\text{ k}\Omega$
Noise(1 Hz ~ 10 kHz)	$V_{no}$	mV rms		10		
Accuracy@ $I_{PN}$ @ $T_A = 25\text{ }^\circ\text{C}$	$X_{25\text{ }^\circ\text{C}}$	% of $I_{PN}$		$\pm 1.9$		
Accuracy@ $I_{PN}$ @ $T_A = 105\text{ }^\circ\text{C}$	$X_{105\text{ }^\circ\text{C}}$	% of $I_{PN}$		$\pm 3.2$		

## 26. Connection



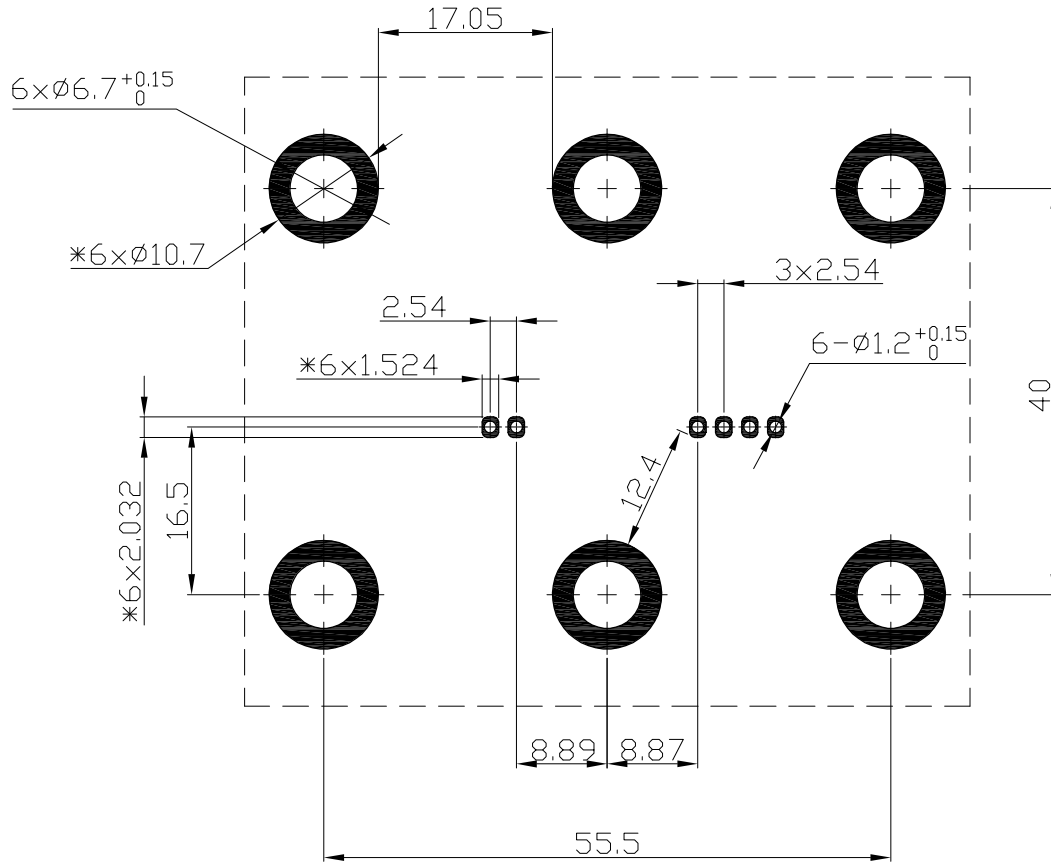
## 27. SFG- P/N PCB footprint



### Assembly on PCB

- No Primary in shadow area
- Maximum PCB thickness 2.4 mm
- Wave-soldering: 260°C @ 10 s
- Recommended PCB hole diameter 1.2 mm for secondary pin.

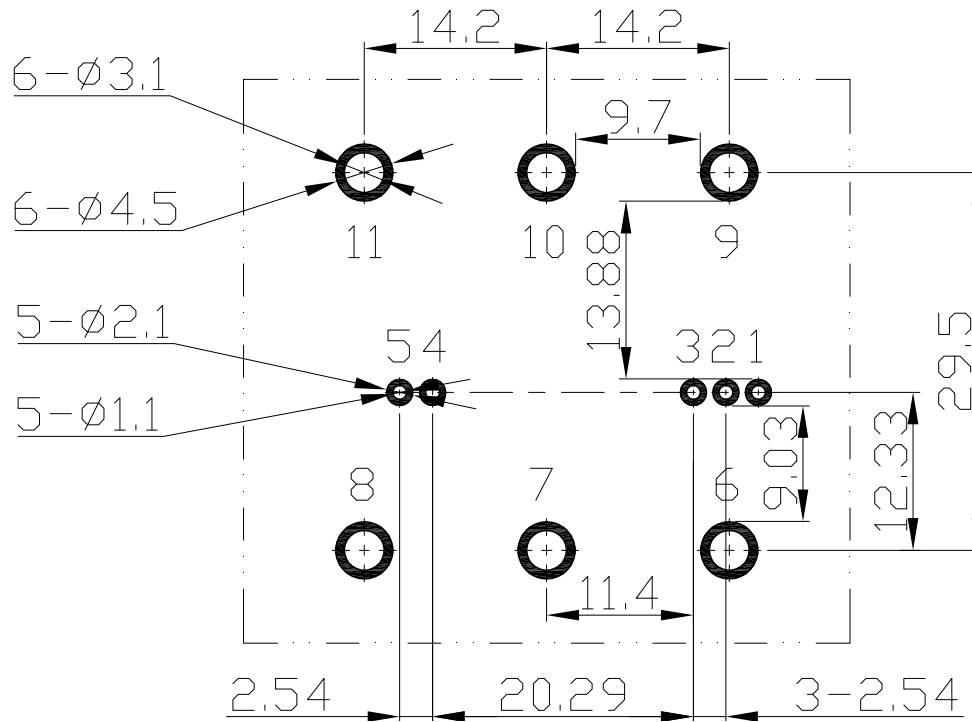
## 28. SFG- P/P1 PCB footprint



### Assembly on PCB

- Maximum PCB thickness 2.4 mm
- Wave-soldering: 260°C @ 10 s
- Recommended PCB hole diameter 1.2 mm for secondary pin.

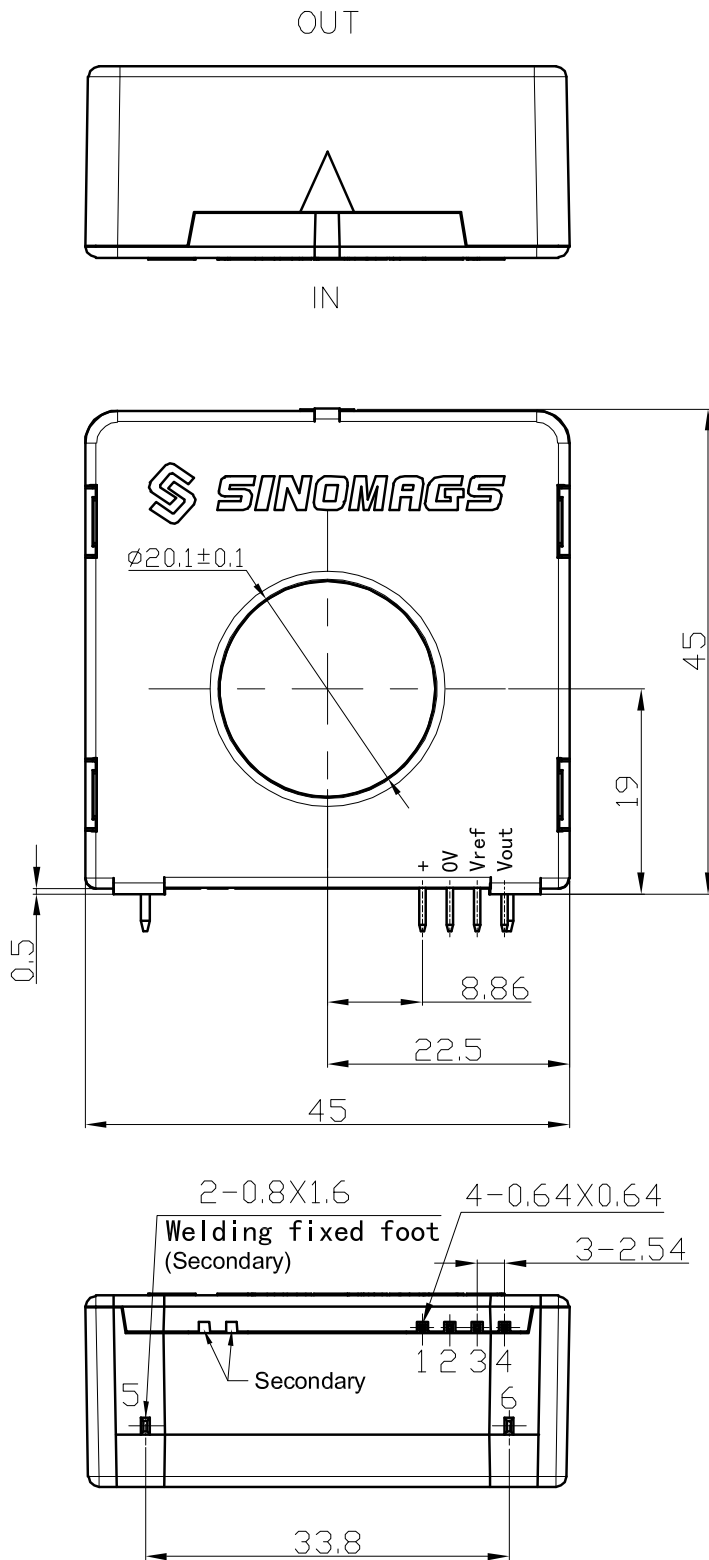
## 29. SFG- P/P2 PCB footprint



### Assembly on PCB

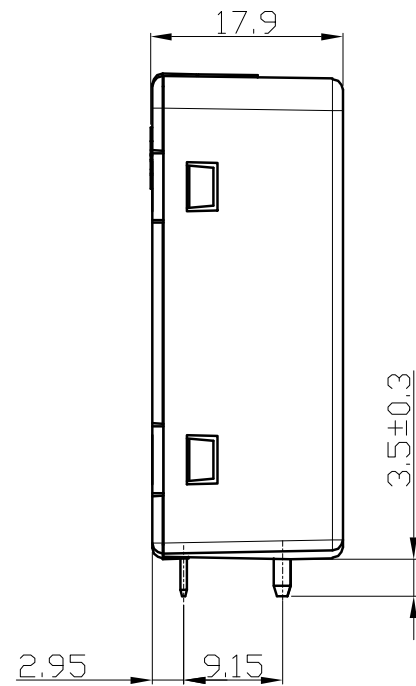
- Maximum PCB thickness 2.4 mm
- Wave-soldering: 260°C @ 10 s
- Recommended PCB hole diameter 1.2 mm for secondary pin.

### 30. SFG- P/N Dimensions

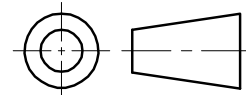


Terminals:

1	2	3
Vcc	GND	Vref
4	5	6
Vout	NC	NC



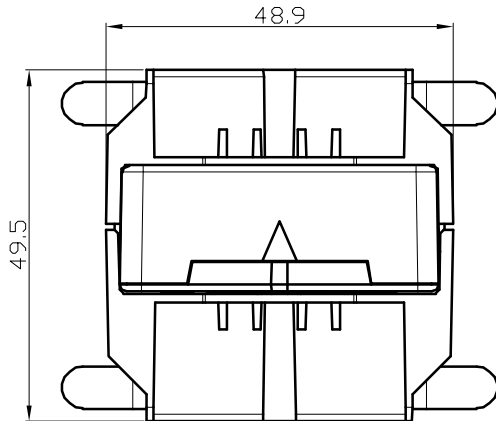
Material : Fit UL94V-0 & RoHS requirements ;  
General tolerance : ±0.5  
Unit :mm



Assembly on PCB:

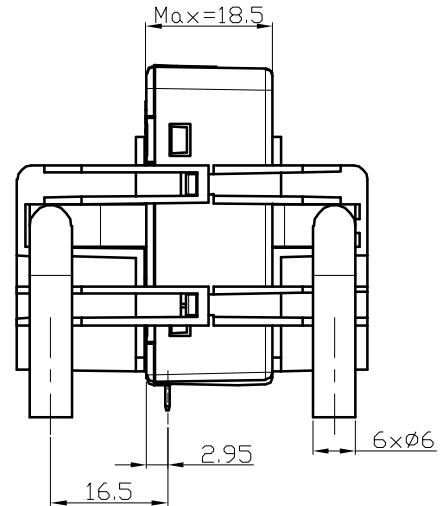
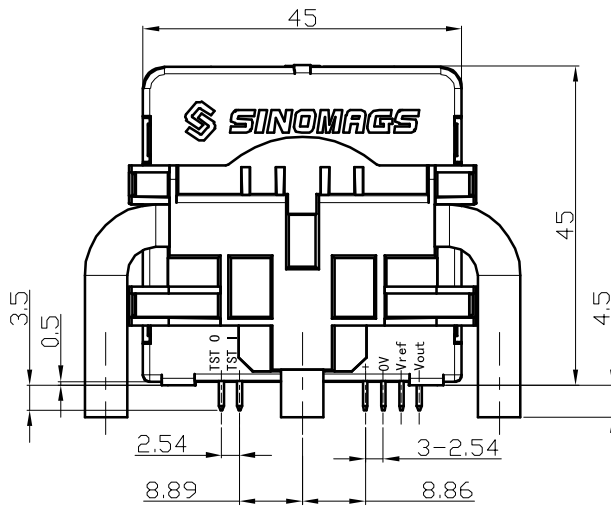
- 1、Maximum PCB thickness: 2.4mm;
- 2、Wave soldering profile No Pd process only: maximum 260°C, 10S;

### 31. SFG- P/P1 Dimensions



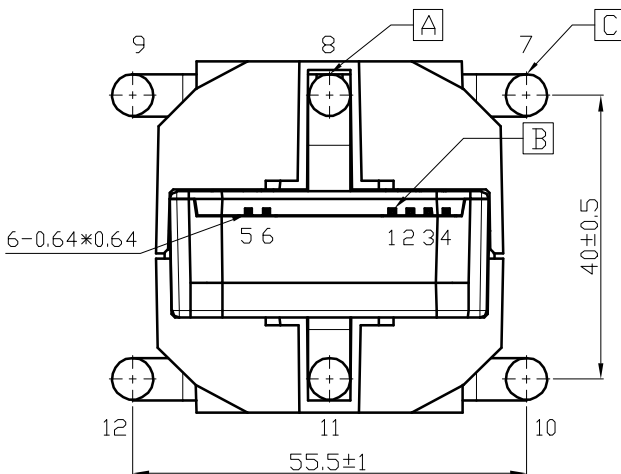
Terminals:

1	2	3
Vcc	GND	Vref
4	5	6
Vout	Test Out	Test In
7	8	9
Ip+	Ip+	Ip+
10	11	12
Ip-	Ip-	Ip-



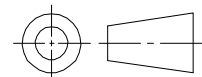
	$d_{CI}$	$d_{CP}$
A-B	15.3mm	---
A-C	9.4mm	12.9mm
C-D	16.0mm	16.0mm

D is secondary inside the transducer



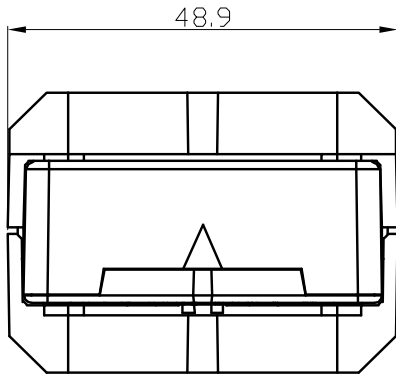
On the customer's PCBA		
	$d_{CI}$	$d_{CP}$
A-B	12.4mm	12.4mm
A-C	9.4mm	17.05mm

Material : Fit UL94V-0 & RoHS requirements ;  
General tolerance :  $\pm 0.5$   
Unit : mm





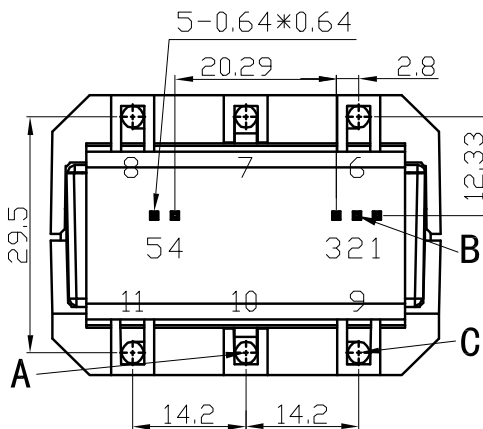
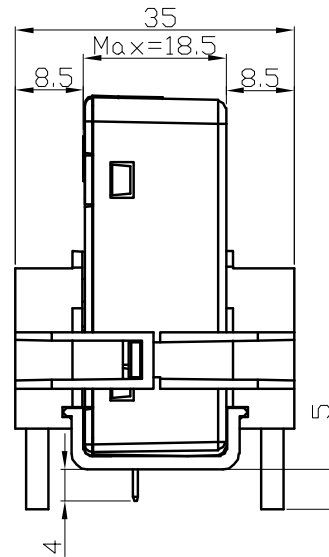
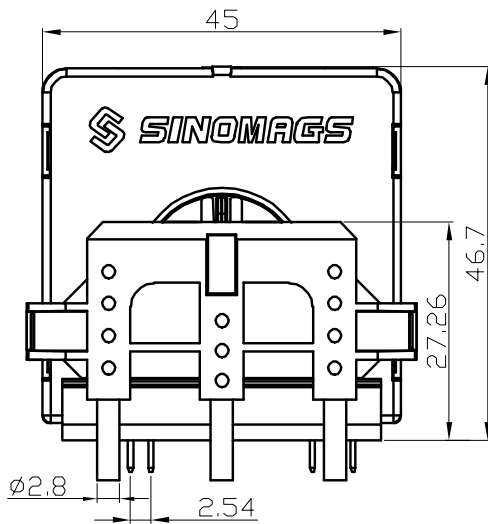
### 32. SFG- P/P2 Dimensions



	D <sub>CI</sub>	D <sub>CP</sub>
B-C	10.6	13.3
A-C	11.4	15.8
C-D	--	15

D is secondary inside the transducer

On the customer's PCBA		
	D <sub>CI</sub>	D <sub>CP</sub>
B-C	9	9
A-C	9.7	9.7



Terminals:

1	Vout
2	CHK
3	GND
4	Vcc
5	Vref
6	I <sub>p+</sub>
7	I <sub>p+</sub>
8	I <sub>p+</sub>
9	I <sub>p-</sub>
10	I <sub>p-</sub>
11	I <sub>p-</sub>

Material : Fit UL94V-0 & RoHS requirements ;

General tolerance :  $\pm 0.5$

Unit : mm

