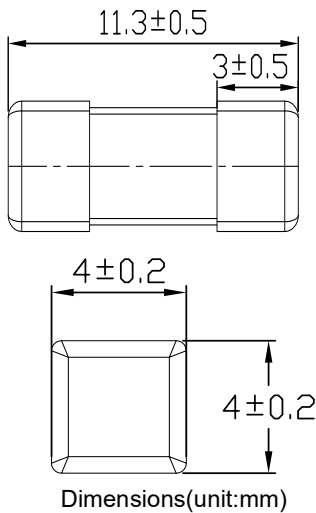


475 Brick Fuse



Main Characteristics

Brick fuse; Fast-Acting(F)

Standard

UL248-14

Materials

Body: Ceramic
End Caps: Copper plated with silver

Operating Temperature

-55°C to +125°C

Stock Temperature

+10°C to +60°C
Relative humidity: ≤75% yearly average
Without dew, maximum 30 days at 95%

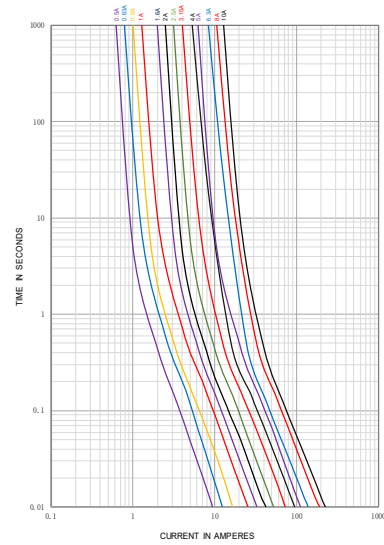
Vibration Resistance

24 cycles at 15 min. each (60068-6)
10-60Hz at 0.75mm amplitude
60-2000Hz at 10g acceleration

Soldering Parameters

260°C. ≤10 sec (Wave Soldering)
300°C. ≤2 sec (Hand Soldering)
Soldering Peak:
260°C. 10 sec.
280°C. 5 sec. (IEC 60068-20)

Average Time Current(I-T Curve)



Time vs Current Characteristics: UL248-14

Rated Current	100%	200%
500mA~10A	>4H	<60s



Electrical Characteristics at 25°C

Amp Code	Rated Current	Rated Voltage	Max. Voltage Drop (mV)	Breaking Capacity	Typical Melting I ² t(A ² sec)	Typical Cold Resistance (mΩ)	Approval
							cURus
0400	400mA	125V AC 250V AC 125V DC 250V DC 400V DC	1000	150A@125V AC 150A@250V AC 150A@125V DC 150A@250V DC 100A@400V DC	0.11	1820	•
0500	500mA		700		0.14	912	•
0630	630mA		500		0.15	512	•
0800	800mA		500		0.32	418	•
1100	1.00A		300		0.47	147	•
1125	1.25A		200		0.90	106	•
1160	1.60A		200		1.88	71.4	•
1200	2.00A		150		1.84	52.4	•
1250	2.50A		150		2.69	40.2	•
1315	3.15A		150		4.38	31.0	•
1400	4.00A	125V AC 250V AC	150	150A@125V AC 150A@250V AC 150A@125V DC 150A@250V DC	8.10	22.7	•
1500	5.00A	125V DC 250V DC	120		18.5	15.4	•
1630	6.30A	125V AC 250V AC	120		25.8	12.0	•
1800	8.00A	125V AC 250V AC	120	150A@125V AC 150A@250V AC	49.0	8.60	•
2100	10.00A	125V AC 250V AC	120		72.3	7.00	•

Note: (1) Permissible continuous operating current is ≤100% at ambient temperature of 23° C (73.4° F)
(2) The current values used for calculating I²T should be within the standard range of 8ms~10ms.

Ordering Information

Series	Amp Code	Supplementary Code	Qty
475			