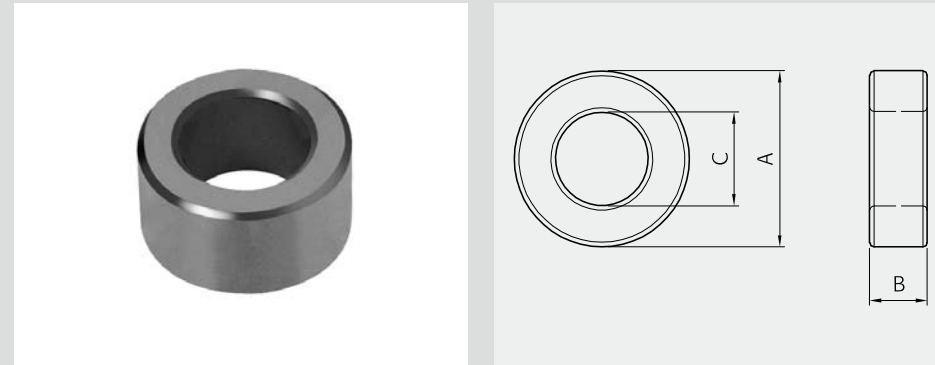


OR CORES



Note : 1) AL value
 - Unit : nH/N²
 - Measuring conditions : 1kHz, 0.1V, 10Ts, 23°C
 - Tolerance : ±25% (SM-100, SM-120 : ±30%)

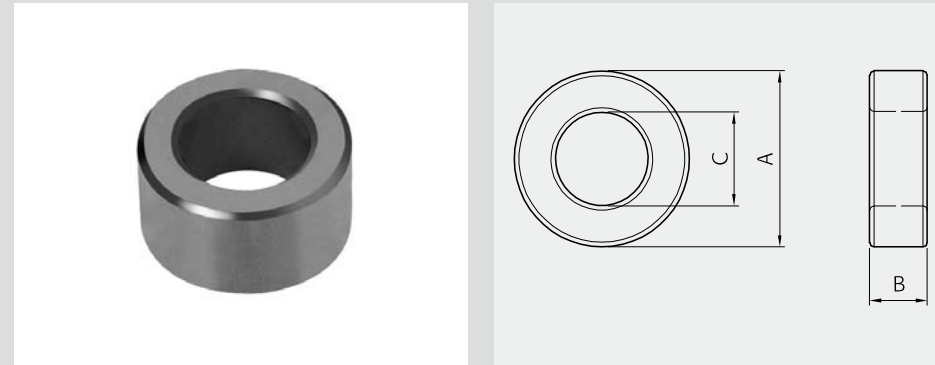
2) Coating
 - Toroid cores can be coated with epoxy or parylene.
 - Isolation voltage : epoxy - DC 1000 V min., parylene - DC 750 V min.

Part No.	Dimensions in mm			Core Set Parameters					
	A	B	C	C1(mm ⁻¹)	Le(mm)	Ae(mm ²)	Ve(mm ³)	Aw(mm ²)	W(g)
OR2.5×1.3-1.3H	2.54 ±0.20	1.27 ±0.15	1.27 ±0.10	7.140	5.5	0.8	4.3	1.3	0.02
OR4×1.6-2H	4.00 ±0.20	1.60 ±0.20	2.00 ±0.20	5.670	8.7	1.5	13	3.1	0.1
OR8×2-4H	8.00 ±0.30	2.00 ±0.20	4.00 ±0.30	4.530	17.4	3.8	67	12.6	0.4
OR8×3-4H	8.00 ±0.30	3.00 ±0.30	4.00 ±0.30	3.020	17.4	5.8	100	12.6	0.6
OR8×4-4H	8.00 ±0.30	4.00 ±0.30	4.00 ±0.30	2.270	17.4	7.7	134	12.6	0.7
OR9×3-5H	9.00 ±0.30	3.00 ±0.20	5.00 ±0.20	3.560	20.8	5.8	121	19.6	0.6
OR10×4-6H	10.00 ±0.30	4.00 ±0.25	6.00 ±0.30	3.080	24.1	7.8	188	28.3	0.9
OR10×5-5H	10.00 ±0.20	5.00 ±0.30	5.00 ±0.20	1.810	21.8	12.0	262	19.6	1.4
OR12×4-6H	12.00 ±0.30	4.00 ±0.25	6.00 ±0.30	2.270	26.1	11.5	301	28.3	1.6
OR12.7×3.1-8.1H	12.70 ±0.25	3.10 ±0.25	8.10 ±0.25	4.510	31.6	7.0	222	51.5	1.2
OR12.7×4.7-7.1H	12.70 ±0.30	4.70 ±0.25	7.10 ±0.30	2.300	29.4	12.8	376	39.6	1.9
OR12.7×6.35-7.92H	12.70 ±0.25	6.35 ±0.25	7.92 ±0.20	2.100	31.2	14.9	465	49.2	2.4
OR12.7×6.35-8.1H	12.70 ±0.25	6.35 ±0.25	8.10 ±0.25	2.200	31.6	14.4	454	51.5	2.3
OR12.7×6-8.1H	12.70 ±0.25	6.00 ±0.25	8.10 ±0.25	2.330	31.6	13.6	429	51.5	2.2
OR13×5-8H	13.00 ±0.50	5.00 ±0.30	8.00 ^{+0.00} _{-1.00}	2.590	31.7	12.3	389	50.2	2.2
OR13×6.5-8H	13.00 ±0.50	6.50 ±0.30	8.00 ^{+0.00} _{-1.00}	1.990	31.7	15.9	506	50.2	2.8
OR13×6-8H	13.00 ±0.50	6.00 ±0.30	8.00 ^{+0.00} _{-1.00}	2.160	31.7	14.7	467	50.2	2.7
OR14×4-7.5H	14.00 ±0.30	4.00 ±0.30	7.50 ±0.30	2.520	31.7	12.6	399	44.2	2.1
OR14×4-8H	14.00 ±0.20	4.00 ±0.20	8.00 ±0.20	2.810	32.8	11.7	384	50.2	2.0
OR14×5-7.5H	14.00 ±0.30	5.00 ±0.30	7.50 ±0.30	2.010	31.7	15.7	498	44.2	2.5
OR14×5-9H	14.00 ±0.30	5.00 ±0.30	9.00 ±0.30	2.840	35.0	12.3	430	63.6	2.2
OR14×6.5-7.5H	14.00 ±0.30	6.50 ±0.30	7.50 ±0.30	1.550	31.7	20.5	648	44.2	3.4
OR14×7-7.5H	14.00 ±0.30	7.00 ±0.30	7.50 ±0.30	1.440	31.7	22.0	698	44.2	3.5
OR14×7-8H	14.00 ±0.20	7.00 ±0.20	8.00 ±0.20	1.600	32.8	20.5	672	50.2	3.4
OR16×4-12H	16.00 ±0.30	4.00 ±0.30	12.00 ±0.30	5.460	43.4	8.0	345	113.0	1.7
OR16×4-9.6H	16.00 ±0.30	4.00 ±0.30	9.60 ±0.30	3.080	38.5	12.5	482	72.3	2.5
OR16×5-12H	16.00 ±0.30	5.00 ±0.30	12.00 ±0.30	4.370	43.4	9.9	431	113.0	2.1
OR16×5-9.6H	16.00 ±0.30	5.00 ±0.30	9.60 ±0.30	2.460	38.5	15.7	603	72.3	2.9

Electrical Characteristics AL value

Part No.	PL-7	PL-9	PL-11	SM-8T	SM-23T	SM-43T	SM-50	SM-60	SM-70S	SM-100	SM-120
OR2.5×1.3-1.3H	420	530	440	140	400	760	880	1060	1320	1760	2100
OR4×1.6-2H	530	670	550	180	510	950	1110	1300	1700	2200	2600
OR8×2-4H	670	830	690	220	640	1190	1400	1700	2100	2800	3400
OR8×3-4H	1000	1250	1040	330	960	1790	2100	2500	3100	4200	5000
OR8×4-4H	1300	1700	1400	440	1270	2380	2800	3300	4200	5500	6600
OR9×3-5H	800	1100	900	280	810	1520	1800	2100	2600	3500	4200
OR10×4-6H	1000	1200	1000	330	940	1750	2000	2400	3100	4100	4900
OR10×5-5H	1700	2100	1700	560	1600	2990	3500	4200	5200	6900	8300
OR12×4-6H	1300	1700	1400	400	1300	2400	2800	3300	4200	5500	6600
OR12.7×3.1-8.1H	700	800	700	200	600	1200	1400	1700	2100	2800	3400
OR12.7×4.7-7.1H	1300	1600	1400	400	1300	2400	2700	3300	4100	5500	6600
OR12.7×6.35-7.92H	1400	1800	1500	500	1400	2600	3000	3600	4500	6000	7200
OR12.7×6.35-8.1H	1400	1700	1400	500	1300	2500	2900	3400	4300	5700	6800
OR12.7×6-8.1H	1300	1600	1300	400	1200	2300	2700	3200	4000	5400	6500
OR13×5-8H	1200	1500	1200	400	1100	2100	2400	2900	3600	4900	5900
OR13×6.5-8H	1500	1900	1600	500	1500	2700	3200	3800	4700	6300	7600
OR13×6-8H	1400	1700	1500	500	1300	2500	2900	3500	4400	5800	7000
OR14×4-7.5H	1200	1500	1200	400	1100	2100	2500	3000	3700	5000	6000
OR14×4-8H	1100	1300	1100	400	1000	1900	2200	2700	3400	4500	5400
OR14×5-7.5H	1500	1900	1600	500	1400	2700	3100	3800	4700	6300	7600
OR14×5-9H	1100	1300	1100	400	1000	1900	2200	2700	3300	4400	5300
OR14×6.5-7.5H	1900	2400	2000	600	1900	3500	4100	4900	6100	8100	9700
OR14×7-7.5H	2100	2600	2200	700	2000	3800	4400	5200	6500	8700	10400
OR14×7-8H	1900	2400	2000	600	1800	3400	3900	4700	5900	7900	9500
OR16×4-12H	600	700	600	200	500	1000	1200	1400	1700	2300	2800
OR16×4-9.6H	1000	1200	1000	300	900	1800	2000	2400	3100	4100	4900
OR16×5-12H	700	900	700	200	700	1200	1400	1700	2200	2900	3500
OR16×5-9.6H	1200	1500	1300	400	1200	2200	2600	3100	3800	5100	6100

OR CORES



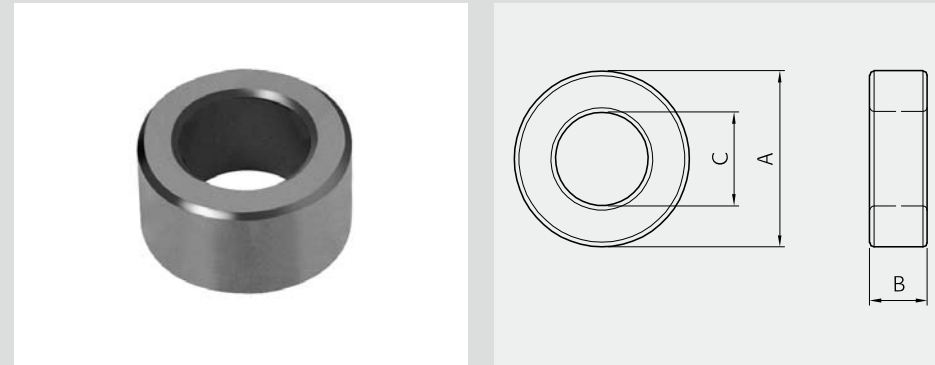
Note : 1) AL value
 - Unit : nH/N²
 - Measuring conditions : 1kHz, 0.1V, 10Ts, 23°C
 - Tolerance : ±25% (SM-100, SM-120 : ±30%)

2) Coating
 - Toroid cores can be coated with epoxy or parylene.
 - Isolation voltage : epoxy - DC 1000 V min., parylene - DC 750 V min.

Part No.	Dimensions in mm			Core Set Parameters					
	A	B	C	C1(mm ⁻¹)	Le(mm)	Ae(mm ²)	Ve(mm ³)	Aw(mm ²)	W(g)
OR16×6.3-9.6H	16.00 ±0.30	6.30 ±0.30	9.60 ±0.30	1.950	38.5	19.7	760	72.3	3.9
OR16×7-10H	16.00 ±0.35	7.00 ±0.30	10.00 ±0.30	1.907	39.3	20.6	810	78.5	4.2
OR16×8-12HT	15.80 ±0.30	8.00 ±0.30	11.90 ±0.30	2.790	42.9	15.4	661	111.2	3.4
OR16×8-8H	16.00 ±0.50	8.00 ±0.40	8.00 ±0.40	1.130	34.8	30.7	1071	50.2	5.7
OR16×11-8H	16.00 ±0.50	11.00 ±0.40	8.00 ±0.40	0.820	34.8	42.3	1472	50.2	7.6
OR19×5-10H	19.00 ±0.30	5.00 ±0.30	9.80 ±0.40	1.900	42.1	22.2	934	75.4	4.7
OR19×6-13H	19.00 ±0.30	6.00 ±0.20	13.00 ±0.30	2.760	49.1	17.8	873	132.7	4.5
OR19×9.5-13H	19.00 ±0.30	9.50 ±0.25	13.00 ±0.30	1.741	49.1	28.2	1385	133	7.0
OR19×10-10H	19.00 ±0.40	10.30 ±0.30	9.80 ±0.40	0.920	42.1	45.7	1923	75.4	10.0
OR19×11-13H	19.00 ±0.30	11.00 ±0.20	13.00 ±0.30	1.510	49.1	32.6	1600	132.7	8.1
OR19×16-5H	19.00 ±0.40	16.00 ±0.40	5.00 ±0.15	0.290	28.7	99.1	2842	19.63	21.1
OR19×19-5H	19.00 ±0.40	19.00 ±0.40	5.00 ±0.15	0.244	28.7	117.6	3375	20	24.8
OR20×7-10H	20.00 ±0.40	7.00 ±0.30	10.00 ±0.30	1.290	43.6	33.6	1465	78.5	7.9
OR20×8-10H	20.00 ±0.40	8.00 ±0.30	10.00 ±0.30	1.130	43.6	38.4	1674	78.5	9.1
OR20×10-10H	20.00 ±0.40	10.00 ±0.30	10.00 ±0.30	0.910	43.6	48.1	2092	78.5	11.3
OR22.1×6.35-13.7H	22.10 ±0.40	6.35 ±0.25	13.70 ±0.30	2.070	54.2	26.2	1417	147.3	7.1
OR22.1×8-13.7H	22.10 ±0.40	8.00 ±0.25	13.70 ±0.30	1.640	54.2	33.0	1785	147.3	9.1
OR22.1×11-13.7H	22.10 ±0.40	11.00 ±0.25	13.70 ±0.30	1.190	54.2	45.3	2454	147.3	12.4
OR22.1×12.7-13.7H	22.10 ±0.40	12.75 ±0.25	13.70 ±0.30	1.030	54.2	52.5	2845	147.3	14.0
OR22×8-14H	22.00 ±0.40	8.00 ±0.20	14.00 ±0.30	1.740	54.7	31.5	1720	153.9	8.9
OR22×13-14H	22.00 ±0.40	13.00 ±0.30	14.00 ±0.30	1.070	54.7	51.1	2795	176.0	15.0
OR25×3-15H	25.00 ±0.30	3.00 ±0.30	15.00 ±0.30	4.095	60.2	14.7	883	177	6.0
OR25×4-15H	25.00 ±0.30	4.00 ±0.30	15.00 ±0.30	3.071	60.2	19.6	1170	177	7.0
OR25×5-15H	25.00 ±0.30	5.00 ±0.30	15.00 ±0.30	2.457	60.2	24.5	1475	177	7.5
OR25×6-15H	25.00 ±0.30	6.00 ±0.30	15.00 ±0.30	2.050	60.2	29.4	1767	176.6	9.0
OR25×10-15H	25.00 ±0.30	10.00 ±0.30	15.00 ±0.30	1.230	60.2	48.9	2944	176.6	15
OR25×12-15H	25.00 ±0.30	12.00 ±0.30	15.00 ±0.30	1.030	60.2	58.7	3533	176.6	18
OR25×12.5-15H	25.00 ±0.30	12.50 ±0.30	15.00 ±0.30	0.980	60.2	61.2	3681	176.6	19

Part No.	Electrical Characteristics										
	AL value										
	PL-7	PL-9	PL-11	SM-8T	SM-23T	SM-43T	SM-50	SM-60	SM-70S	SM-100	SM-120
OR16×6.3-9.6H	1500	1900	1600	500	1500	2800	3200	3900	4800	6400	7700
OR16×7-10H	1600	2000	1600	500	1500	2800	3300	4000	5600	6600	7900
OR16×8-12HT	1100	1400	1100	400	1000	1900	2300	2700	3400	4500	5400
OR16×8-8H	2700	3300	2800	900	2600	4800	5600	6700	8300	11100	13300
OR16×11-8H	3700	4600	3800	1200	3500	6600	7700	9200	11500	15300	18400
OR19×5-10H	1600	2000	1700	500	1500	2800	3300	4000	5000	6600	7900
OR19×6-13H	1100	1400	1100	400	1000	2000	2300	2700	3400	4600	5500
OR19×9.5-13H	1700	2200	1800	600	1700	3100	3600	4300	5400	7200	8600
OR19×10-10H	3300	4100	3400	1100	3100	5900	6800	8200	10200	13700	16400
OR19×11-13H	2000	2500	2100	700	1900	3600	4200	5000	6200	8300	10000
OR19×16-5H	10000	13000	10900	3500	10000	18700	21700	26000	32600	43400	52100
OR19×19-5H	12000	15500	12900	4100	11900	22200	25800	30900	38700	51500	61800
OR20×7-10H	2300	2900	2400	800	2200	4200	4900	5800	7300	9700	11600
OR20×8-10H	2700	3300	2800	900	2600	4800	5600	6700	8300	11100	13300
OR20×10-10H	3300	4200	3500	1100	3200	5900	6900	8300	10400	13800	16600
OR22.1×6.35-13.7H	1500	1800	1500	500	1400	2600	3000	3600	4600	6100	7300
OR22.1×8-13.7H	1800	2300	1900	600	1800	3300	3800	4600	5700	7700	9200
OR22.1×11-13.7H	2500	3200	2600	800	2400	4500	5300	6300	7900	10600	12700
OR22.1×12.7-13.7H	2900	3700	3100	1000	2800	5200	6100	7300	9200	12200	14600
OR22×8-14H	1700	2200	1800	600	1700	3100	3600	4300	5400	7200	8600
OR22×13-14H	2800	3500	2900	900	2700	5000	5900	7000	8800	11700	14000
OR25×3-15H	720	900	750	240	690	1300	1500	1800	2250	3000	3600
OR25×4-15H	1000	1200	1000	320	920	1720	2000	2400	3000	4000	4800
OR25×5-15H	1200	1500	1300	400	1200	2200	2500	3000	3750	5000	6000
OR25×6-15H	1500	1800	1500	500	1400	2600	3000	3600	4500	6000	7200
OR25×10-15H	2500	3100	2600	800	2400	4400	5100	6100	7700	10200	12200
OR25×12-15H	2900	3700	3100	1000	2800	5200	6100	7300	9200	12200	14600
OR25×12.5-15H	3100	3800	3200	1000	3000	5500	6400	7700	9600	12800	15400

OR CORES



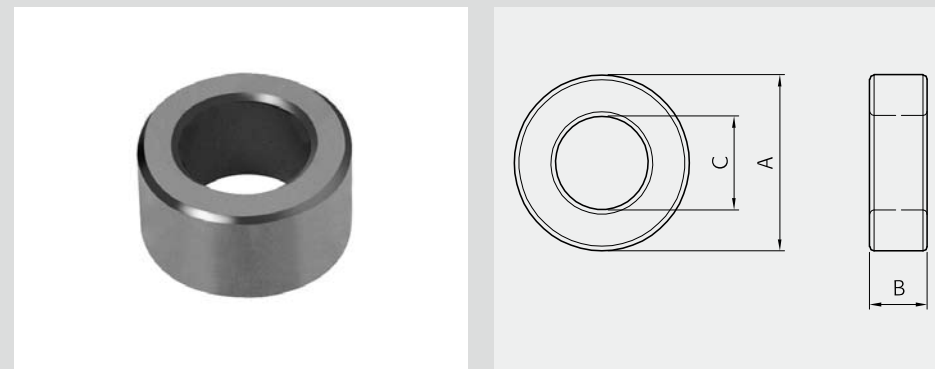
Note : 1) AL value
 - Unit : nH/N²
 - Measuring conditions : 1kHz, 0.1V, 10Ts, 23°C
 - Tolerance : ±25% (SM-100, SM-120 : ±30%)

2) Coating
 - Toroid cores can be coated with epoxy or parylene.
 - Isolation voltage : epoxy - DC 1000 V min., parylene - DC 750 V min.

Part No.	Dimensions in mm			Core Set Parameters					
	A	B	C	C1(mm ⁻¹)	Le(mm)	Ae(mm ²)	Ve(mm ³)	Aw(mm ²)	W(g)
OR25×13-15H	25.00 ±0.30	13.00 ±0.30	15.00 ±0.30	0.950	60.2	63.6	3828	176.6	20
OR25×15-15H	25.00 ±0.30	15.00 ±0.30	15.00 ±0.30	0.820	60.2	73.4	4417	176.6	23
OR26×15-16H	26.00 ±0.40	15.00 ±0.30	16.00 ±0.30	0.860	63.5	73.5	4666	201.0	24
OR28×13-16H	28.00 ±0.40	13.00 ±0.30	16.00 ±0.40	0.860	65.6	76.0	4988	201.0	26
OR28×16-16H	28.00 ±0.40	16.00 ±0.30	16.00 ±0.40	0.700	65.6	93.5	6139	201.0	32
OR29×7.5-19H	29.00 ±0.75	7.50 ±0.55	19.00 ±0.75	1.980	73.2	37.0	2704	283.4	14
OR29×12.5-19HU	29.00 ±0.75	12.50 ±0.60	19.00 ±0.75	1.190	73.2	61.6	4507	283.4	22
OR29×15-19H	29.00 ±0.50	15.00 ±0.55	19.00 ±0.75	0.990	73.2	73.9	5409	283.4	28
OR29×15-19HU	29.00 ±0.50	15.00 ±0.55	19.00 ±0.75	0.990	73.2	73.9	5409	283.4	28
OR29×16-19H	29.00 ±0.75	16.00 ±0.55	19.00 ±0.75	0.930	73.2	78.8	5769	283.4	30
OR31×13-19H	31.00 ^{+0.50} / _{-0.70}	13.00 ±0.40	19.00 ±0.50	0.990	75.5	76.5	5772	283.4	29
OR31×15-20H	31.00 ±0.30	14.80 ±0.20	20.00 ^{+0.40} / _{-0.20}	0.955	77.6	81.2	6300	314	326
OR31×17-19H	31.00 ^{+0.50} / _{-0.70}	17.00 ±0.40	19.00 ±0.50	0.760	75.5	100.0	7550	283.4	39
OR31.8×11.5-19H	31.75 ±0.60	11.50 ±0.40	19.00 ±0.50	1.060	76.3	71.7	5474	283.4	28
OR36×10-23H	36.00 ±0.50	10.00 ±0.30	23.00 ±0.50	1.400	89.7	63.9	5731	415.3	29
OR36×10-23HU	36.00 ±0.50	10.00 ±0.30	23.00 ±0.50	1.400	89.7	63.9	5731	415.3	30
OR36×15-23H	36.00 ±0.50	15.00 ±0.30	23.00 ±0.50	0.930	89.7	95.9	8596	415.3	43
OR36×15-23HU	36.00 ±0.50	15.00 ±0.30	23.00 ±0.50	0.940	89.6	95.8	8583	415.3	43
OR38×13-19H	38.10 ±0.60	12.70 ±0.30	19.05 ±0.60	0.720	82.9	115.7	9585	284.9	53
OR38×16-19H	38.10 ±0.60	15.90 ±0.30	19.00 ±0.60	0.714	82.9	116	9630	284	65
OR40×16-24H	40.00 ±0.60	16.00 ±0.30	24.00 ±0.40	0.769	96.3	125.3	12066	452	59
OR41.8×12.5-26.2H	41.80 ±0.80	12.50 ±0.50	26.20 ±0.60	1.076	103.0	95.7	9860	539	55
OR41.8×17.5-26.2H	41.80 ±0.80	17.50 ±0.50	26.20 ±0.60	0.769	103.0	134.0	13800	539	69
OR44.5×15-30H	44.45 ±0.50	15.00 ±0.30	30.00 ±0.40	1.112	114.0	102.6	11691	707	56
OR44.6×16-20H	44.60 ±0.50	15.90 ±0.30	20.00 ±0.40	0.493	91.4	185.4	16946	314	91
OR48×15-30H	48.00 ±0.80	15.00 ±0.50	30.00 ±0.80	0.890	118.1	132.5	15657	706.5	78
OR48×16-30H	48.00 ±0.80	16.00 ±0.50	30.00 ±0.80	0.840	118.1	141.4	16700	706.5	79
OR49×10-34HU	49.10 ±0.70	10.00 ±0.35	33.80 ±0.75	1.680	127.2	75.6	9616	896.8	44

Part No.	Electrical Characteristics										
	PL-7	PL-9	PL-11	SM-8T	SM-23T	SM-43T	SM-50	SM-60	SM-70S	SM-100	SM-120
OR25×13-15H	3200	4000	3300	1100	3000	5700	6600	7900	9900	13200	15800
OR25×15-15H	3700	4600	3800	1200	3500	6600	7700	9200	11500	15300	18400
OR26×15-16H	3500	4400	3700	1200	3400	6300	7300	8800	11000	14600	17500
OR28×13-16H	3500	4400	3700	1200	3400	6300	7300	8800	11000	14600	17500
OR28×16-16H	4300	5400	4500	1400	4100	7700	9000	10800	13500	18000	21600
OR29×7.5-19H	1500	1900	1600	500	1500	2700	3200	3800	4800	6300	7600
OR29×12.5-19HU	2500	3200	2600	800	2400	4500	5300	6300	7900	10600	12700
OR29×15-19H	3000	3800	3200	1000	2900	5500	6300	7600	9500	12700	15200
OR29×15-19HU	3000	3800	3200	1000	2900	5500	6300	7600	9500	12700	15200
OR29×16-19H	3200	4100	3400	1100	3100	5800	6800	8100	10100	13500	16200
OR31×13-19H	3000	3800	3200	1000	2900	5500	6300	7600	9500	12700	
OR31×15-20H	3100	3900	3200	1000	3000	5600	6500	7800	11000	13000	
OR31×17-19H	4000	5000	4100	1300	3800	7100	8300	9900	12400	16500	
OR31.8×11.5-19H	2800	3600	3000	900	2700	5100	5900	7100	8900	11900	
OR36×10-23H	2200	2700	2200	700	2100	3900	4500	5400	6700	9000	
OR36×10-23HU	2200	2700	2200	700	2100	3900	4500	5400	6700	9000	
OR36×15-23H	3200	4100	3400	1100	3100	5800	6800	8100	10100	13500	
OR36×15-23HU	3200	4000	3300	1100	3100	5800	6700	8000	10000	13400	
OR38×13-19H	4200	5200	4400	1400	4000	7500	8300	9450	12000	17000	
OR38×16-19H	4900	6100	5100	1600	4700	8800	10200	12200	15300	20400	
OR40×16-24H	3920	4900	4100	1300	3800	7000	8200	9800	12300	16400	
OR41.8×12.5-26.2H	2800	3500	2900	900	2700	5000	5800	7000	8800	11700	
OR41.8×17.5-26.2H	3900	4900	4100	1300	3800	7000	8200	9800	12300	16400	
OR44.5×15-30H	2700	3400	2800	900	2600	4900	5700	6800	8500	11300	
OR44.6×16-20H	6120	7600	6400	2000	5900	11000	12700	15300	19100	25500	
OR48×15-30H	3400	4200	3500	1100	3200	6100	7100	8500	10600	14100	
OR48×16-30H	3600	4500	3700	1200	3400	6400	7500	9000	11200	15000	
OR49×10-34HU	1800	2200	1900	600	1700	3200	3700	4500	5600	7500	

OR CORES



Note :

- 1) **AL value**
 - Unit : nH/N²
 - Measuring conditions : 1kHz, 0.1V, 10Ts, 23°C
 - Tolerance : ±25% (SM-100, SM-120 : ±30%)
- 2) **Coating**
 - Toroid cores can be coated with epoxy or parylene.
 - Isolation voltage : epoxy - DC 1000 V min., parylene - DC 750 V min.

Part No.	Dimensions in mm		
	A	B	C
OR49×16-34H	49.10 ±0.70	15.90 ±0.35	33.80 ±0.75
OR49×16-34HU	49.10 ±0.70	15.90 ±0.35	33.80 ±0.75
OR49×19-32H	49.10 ±0.60	19.00 ±0.50	31.80 ±0.60
OR49×19-32HU	49.10 ±0.60	19.00 ±0.50	31.80 ±0.60
OR49×19-34H	49.10 ±0.70	19.00 ±0.35	33.80 ±0.75
OR49×19-34HU	49.10 ±0.70	19.00 ±0.35	33.80 ±0.75
OR51.5×13.5-31.5HU	51.50 ±0.60	13.50 ±0.40	31.50 ±0.50
OR51.5×24.5-31.5HU	51.50 ±0.50	24.50 ±0.50	31.50 ±0.50
OR60×13-40H	60.00 ±0.80	13.00 ±0.50	40.00 ±0.70
OR60×18-40H	60.00 ±0.80	18.00 ±0.50	40.00 ±0.70
OR60×19.5-40H	60.00 ±0.80	19.50 ±0.50	40.00 ±0.70
OR60×25-40H	60.00 ±0.80	25.00 ±0.50	40.00 ±0.70
OR63×25-38H	63.00 ±1.34	25.00 ±0.50	38.00 ±0.70
OR63×25-38HU	63.00 ±1.34	25.00 ±0.50	38.00 ±0.75
OR74×13-39H	73.66 ±1.47	12.70 ±0.60	38.86 ±1.32
OR74×20-39H	73.66 ±1.47	20.00 ±0.60	38.86 ±1.32
OR78×20-51H	78.00 ±1.00	20.00 ±1.00	50.50 ±1.00
OR78×22-51H	78.00 ±1.00	22.00 ±1.00	50.50 ±1.00
OR78×24-51H	78.00 ±1.00	24.00 ±1.00	51.00 ±1.00
OR100×30-60H	100.00 ±2.00	30.00 ±0.50	60.00 ±2.00

Core Set Parameters					
C1(mm ⁻¹)	Le(mm)	Ae(mm ²)	Ve(mm ³)	AW(mm ²)	W(g)
1.060	127.2	120.2	15298	896.8	75
1.060	127.2	120.2	15298	896.8	73
0.761	123.2	161.8	19900	794	100
0.761	123.2	161.8	19700	794	99
0.885	127.2	143.7	18200	897	90
0.885	127.2	143.7	18279	897	87
0.988	125.3	126.8	15888	779	79
0.522	125.3	240	30070	779	143
1.193	153.0	128.2	19615	1257	96
0.860	152.9	177.6	27140	1256.0	135
0.790	152.9	192.4	29402	1256.0	152
0.620	152.9	246.6	37695	1256.0	187
0.490	152.0	306.0	46512	1133.5	240
0.507	152.0	300.0	45600	1134	238
0.770	165.3	213.6	35298	1185.4	186
0.491	165.3	336.6	55640	1186	290
0.720	195.6	270.7	52958	2001.9	275
0.660	195.6	297.8	58254	2001.9	293
0.603	196.0	325.0	63700	2043	335
0.418	251.0	600.0	150600	2827	725

Part No.	Electrical Characteristics										
	AL value										
	PL-7	PL-9	PL-11	SM-8T	SM-23T	SM-43T	SM-50	SM-60	SM-70S	SM-100	SM-120
OR49×16-34H	2800	3600	3000	900	2700	5100	5900	7100	8900	11900	
OR49×16-34HU	2800	3600	3000	900	2700	5100	5900	7100	8900	11900	
OR49×19-32H	4000	5000	4100	1300	3800	7100	8300	9900	12400	16500	
OR49×19-32HU	3960	5000	4100	1300	3800	7100	8300	9900	12400	16500	
OR49×19-34H	3400	4300	3600	1100	3100	6100	7100	8500	10700	14200	
OR49×19-34HU	3200	4250	3330	1100	3100	6100	7100	8500	10700	14200	
OR51.5×13.5-31.5HU	3050	3800	3170	1000	2900	5500	6400	7600	9500	12700	
OR51.5×24.5-31.5HU	6000	7500	6200	2000	5700	10700	12500	15000	18700	25000	
OR60×13-40H	2530	3200	2600	800	2400	4500	5300	6300	7900	10500	
OR60×18-40H	3500	4400	3700	1200	3400	6300	7300	8800	11000	14600	
OR60×19.5-40H	3800	4800	4000	1300	3700	6800	8000	9500	11900	15900	
OR60×25-40H	4900	6100	5100	1600	4700	8700	10100	12200	15200	20300	
OR63×25-38H	6200	7700	6400	2100	5900	11000	13000	15400	19500	25700	
OR63×25-38HU	5500	7500	5700	2050	5400	10000	12800	15400	19200	24000	
OR74×13-39H	3900	4900	4100	1300	3800	7000	8200	9800	12200	16300	
OR74×20-39H	6140	7700	6400	2000	5900	11000	12800	15400	19200	25600	
OR78×20-51H	4200	5200	4400	1400	4000	7500	8700	10500	13100	17500	
OR78×22-51H	4600	5700	4800	1500	4400	8200	9500	11400	14300	19000	
OR78×24-51H	4700	5900	4800	1700	4800	9000	10400	12500	15600	20500	
OR100×30-60H	6600	8300	6900	2400	6900	12900	14000	17000	21000	28000	