

# SAW Resonator 834.64 MHz

MODEL NO.: TC0537A

REV. NO.: 3.0

## A. FEATURES:

1. 1-Port Resonator.

## B. MAXIMUM RATING:

1. Input Power Level: 0 dBm
2. DC voltage: 3 V
3. Operating Temperature: -40°C to +85°C
4. Storage Temperature: -40°C to +85°C
5. Moisture Sensitive Level: Level 1 (MSL1)

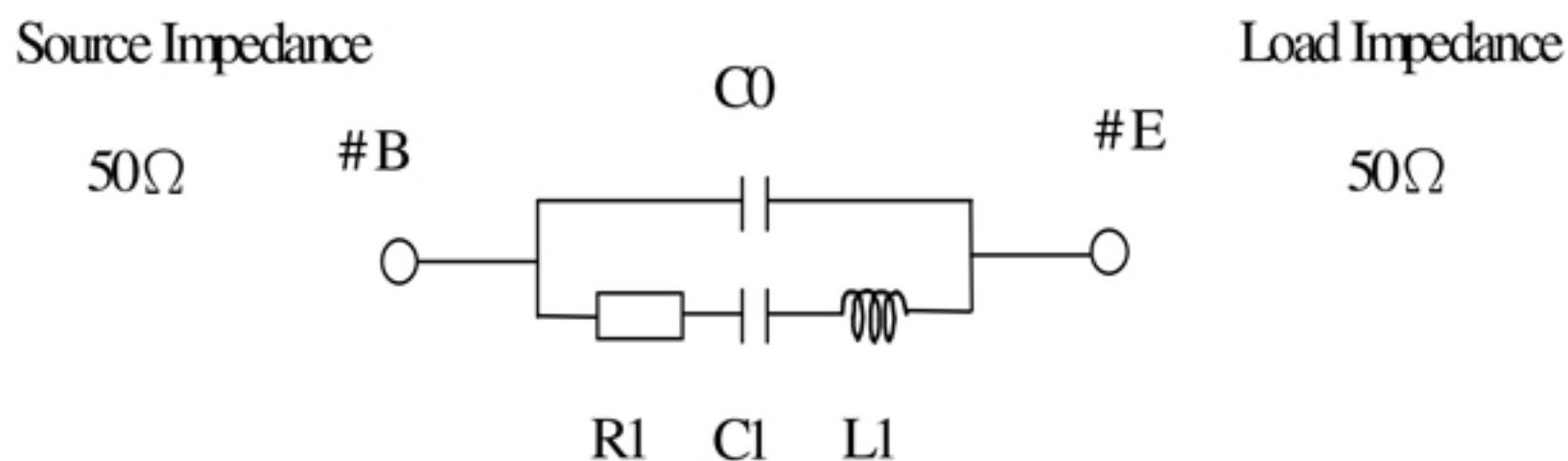
RoHS Compliant  
Lead free  
Lead-free soldering

## C. ELECTRICAL CHARACTERISTICS:

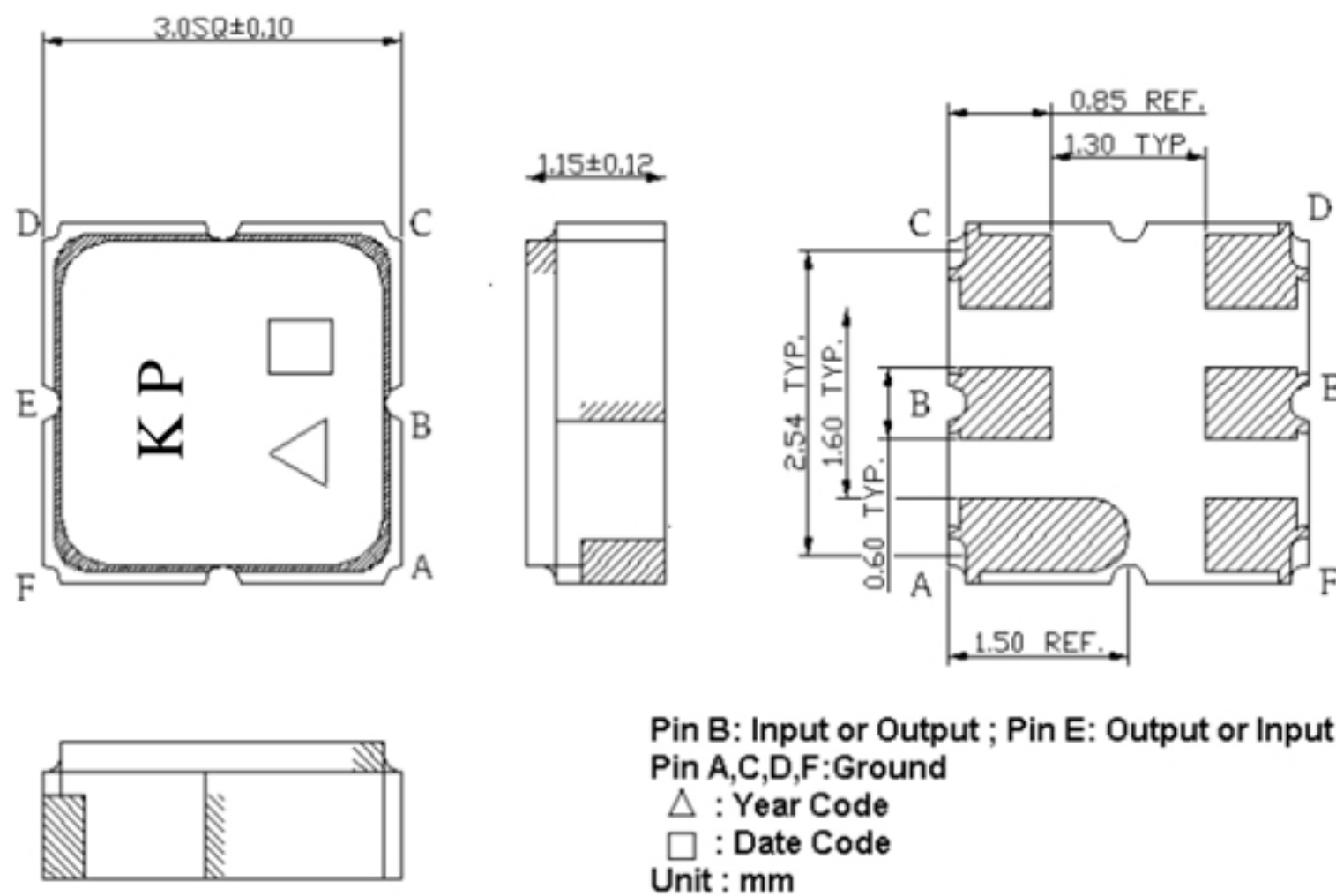
Characteristic	Units	Minimum	Typical	Maximum
Center frequency <b>Fr</b>	<b>MHz</b>	834.590	834.640	834.690
Insertion Loss <b>IL</b>	<b>dB</b>	-	1.37	2.0
Equivalent Elements				
Motional capacitance <b>C1</b>	<b>fF</b>	-	1.40	-
Motional inductance <b>L1</b>	<b>μH</b>	-	26.0	-
Motional resistance <b>R1</b>	<b>Ohm</b>	-	13.8	-
Parallel capacitance <b>Co</b>	<b>pF</b>	-	2.80	-
Temp.coeff.	<b>ppm/c*2</b>	-	0.032	-
Turnover To	<b>deg.C</b>	-	25	-
Package size		SMD 3.0X3.0X1.4mm		

## D. EQUIVRENT CIRCUIT:

One-Port Resonator:



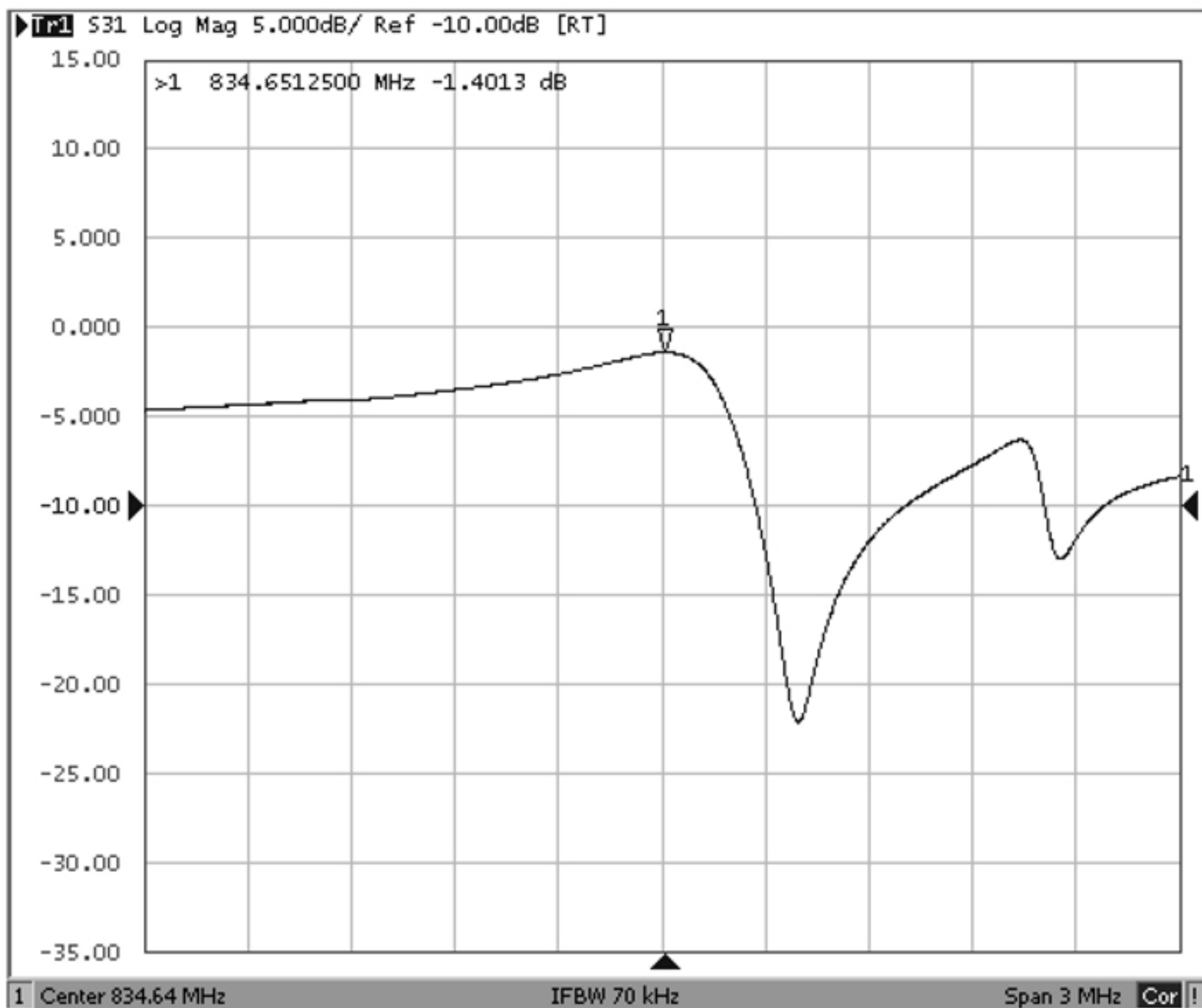
## E. OUTLINE DRAWING:



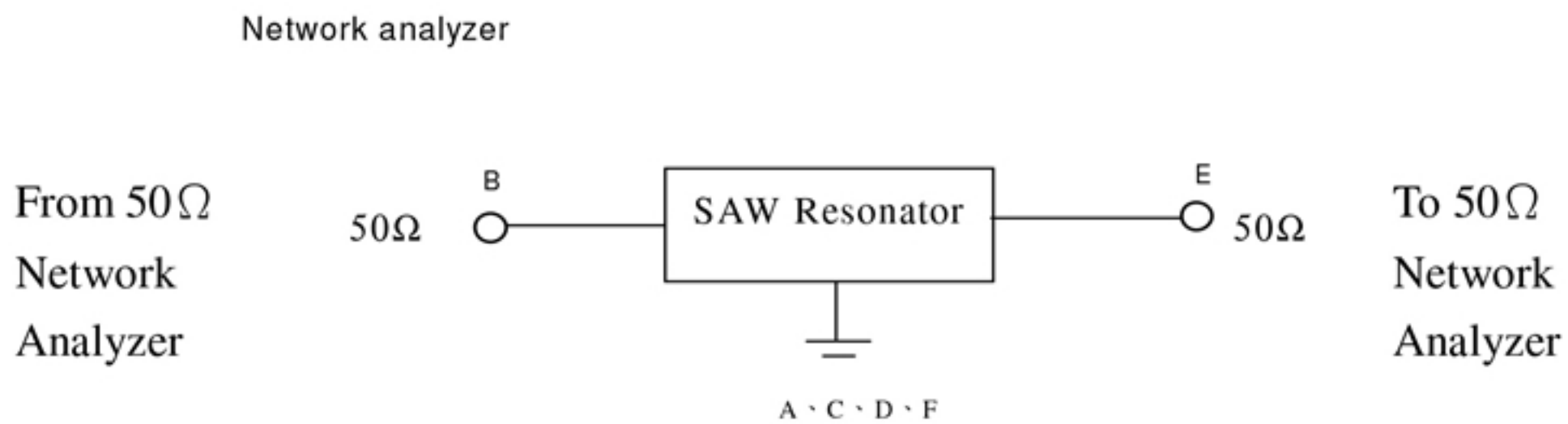
Date code: Provided by planer each year

Year code: 9 for 2009,0 for 2010,...,9 for 2019

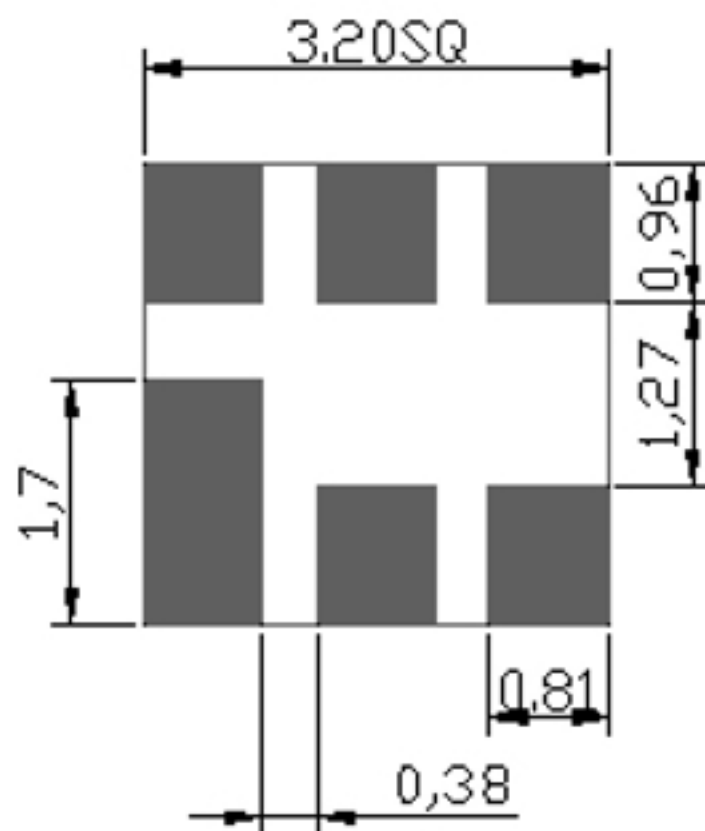
## F. FREQUENCY CHARACTERISTICS



## G. TEST CIRCUIT:

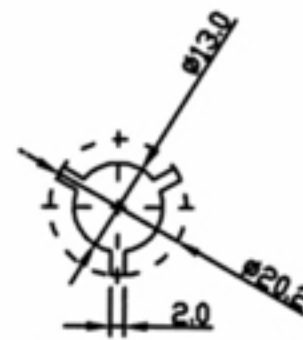
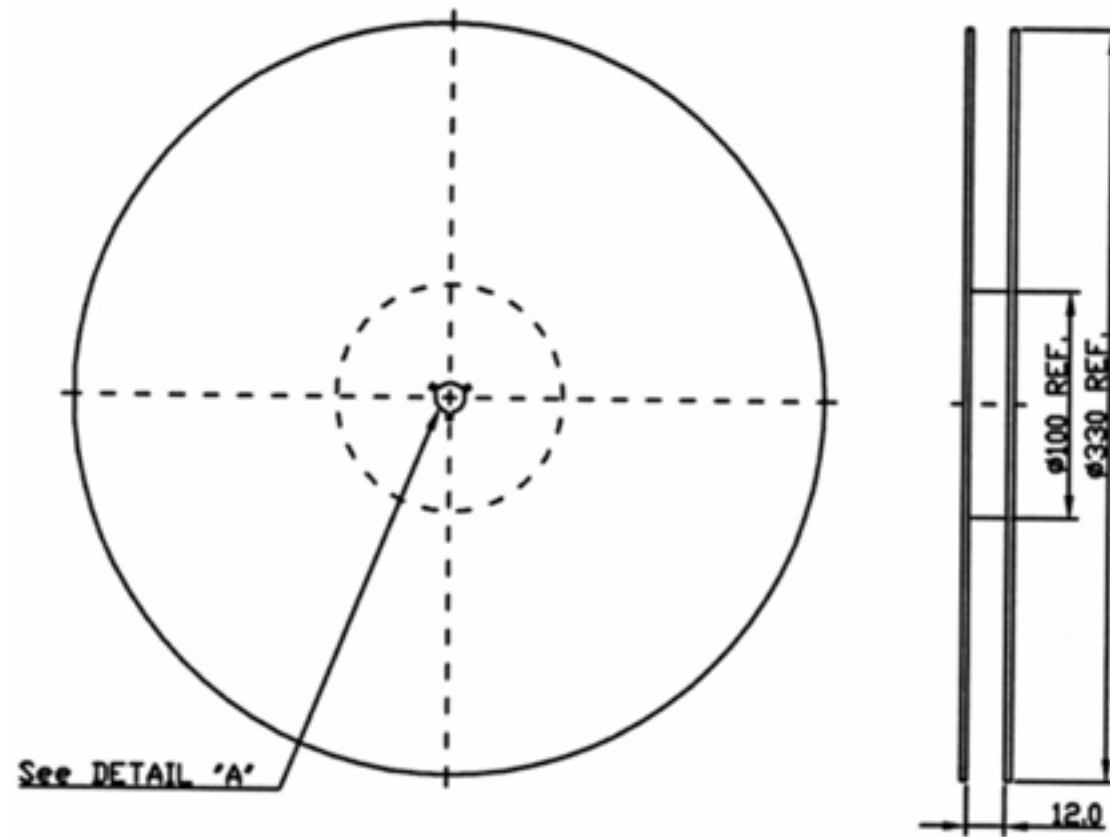


## H. LAND PATTERN:

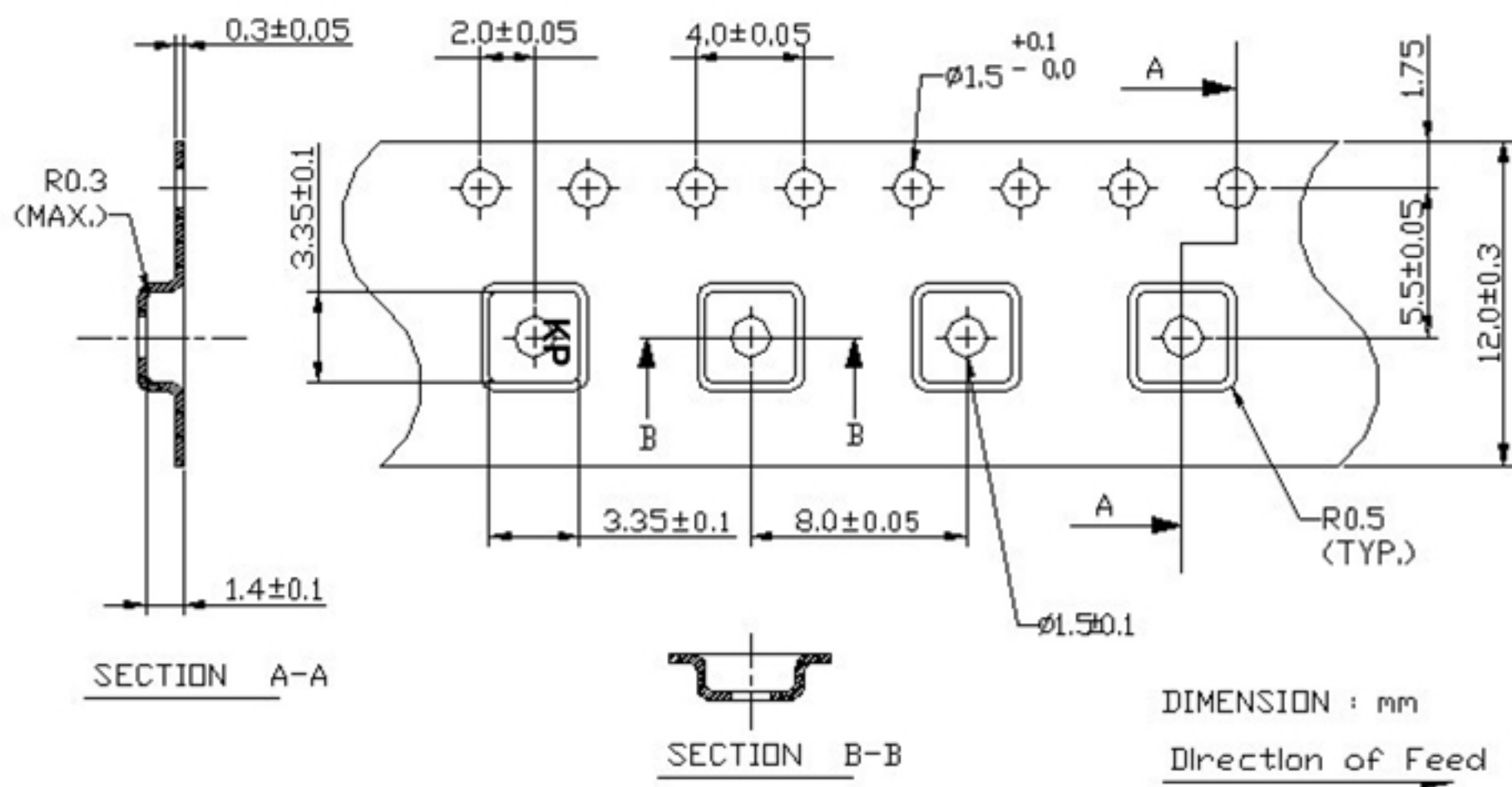


# I. PACKING:

## 1. REEL DIMENSION



## 2. TAPE DIMENSION



## J. RECOMMENDED REFLOW PROFILE:

