

# SAW Resonator 868.35 MHz

MODEL NO.: TC0277A

REV. NO.:1

## A. FEATURES:

- 1-Port Resonator.

## B. MAXIMUM RATING:

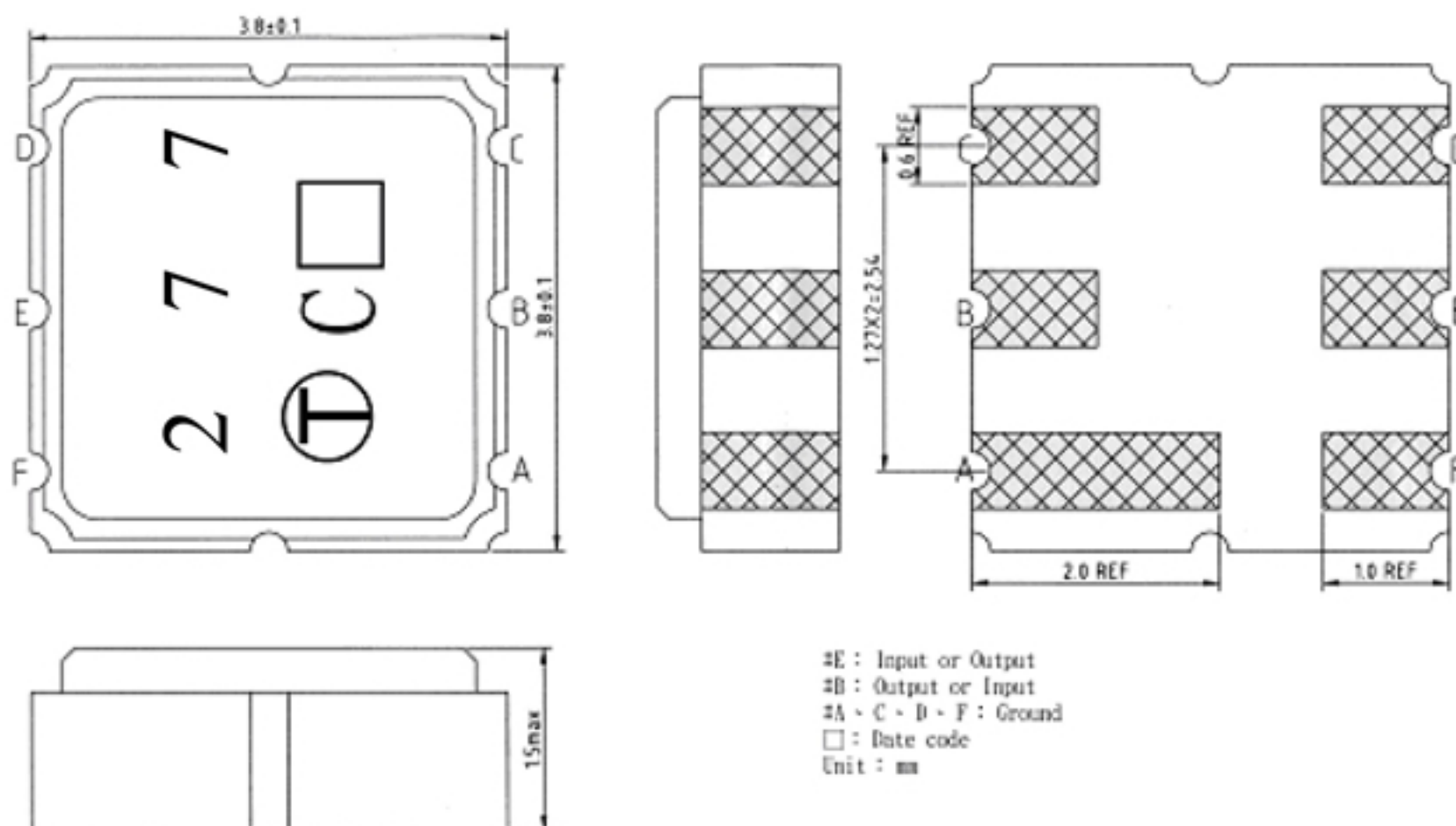
1. Input Power Level: 0 dBm
2. DC voltage: 3 V
3. Operating Temperature: -40°C to +85°C
4. Storage Temperature: -40°C to +85°C

RoHS Compliant  
Lead free  
Lead-free soldering

## C. ELECTRICAL CHARACTERISTICS:

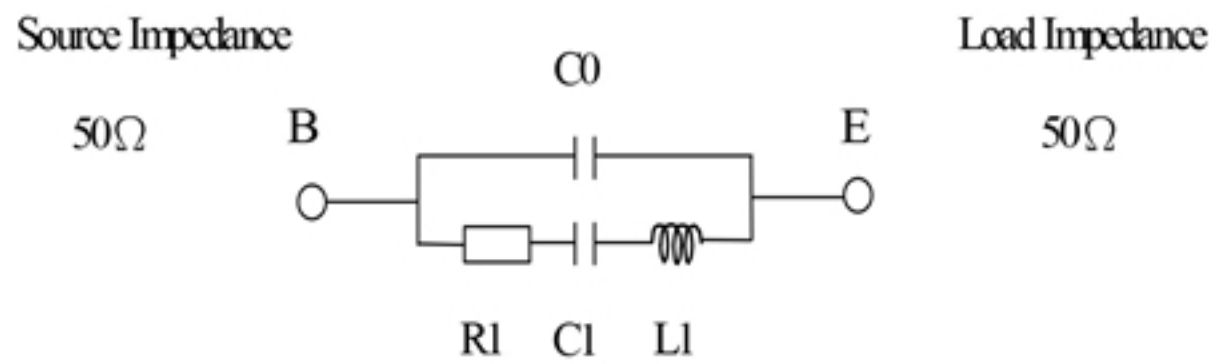
Characteristic	Units	Minimum	Typical	Maximum
Center frequency <b>Fr</b>	<b>MHz</b>	868.250	868.350	868.450
Insertion Loss <b>IL</b>	<b>dB</b>	-	1.3	2.5
Equivalent Elements				
Motional capacitance <b>C1</b>	<b>fF</b>	-	1.21	-
Motional inductance <b>L1</b>	$\mu$ <b>H</b>	-	27.66	-
Motional resistance <b>R1</b>	<b>Ohm</b>	-	17.92	-
Parallel capacitance <b>Co</b>	<b>pF</b>	-	2.51	-
Temp.coeff.	<b>ppm/c*2</b>	-	0.032	-
Turnover <b>To</b>	<b>deg.C</b>	20	-	50
Package size		SMD 3.8X3.8X1.4mm		

## D. OUTLINE DRAWING:

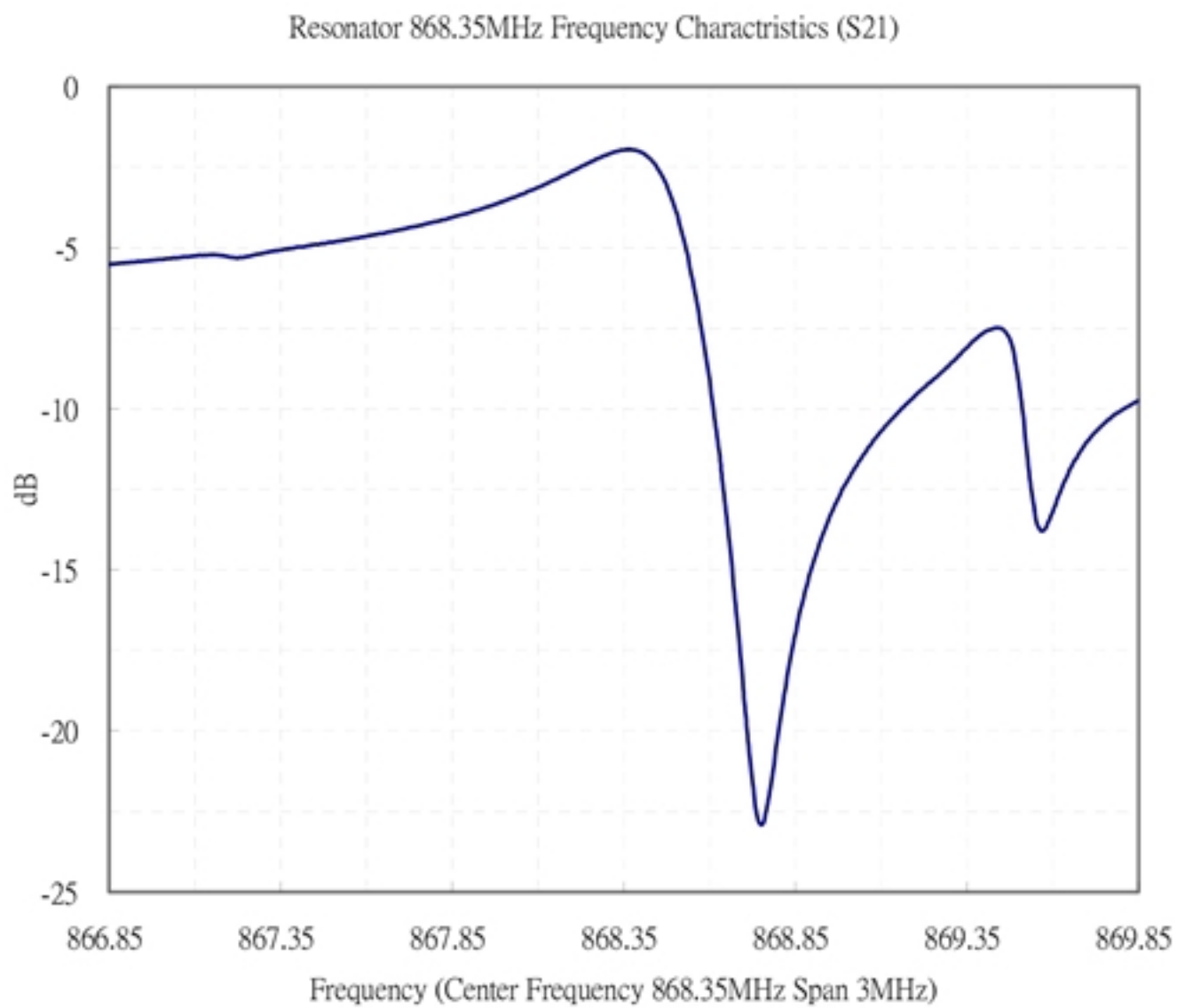


# E.EQUIVIRENT CIRCUIT:

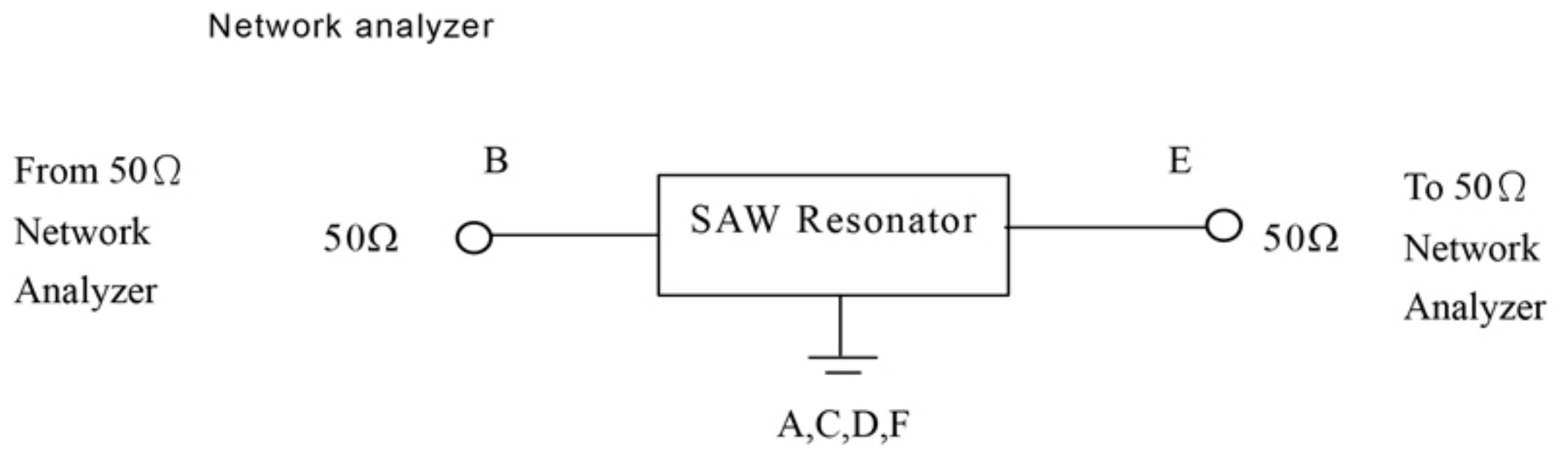
## One-Port Resonator:



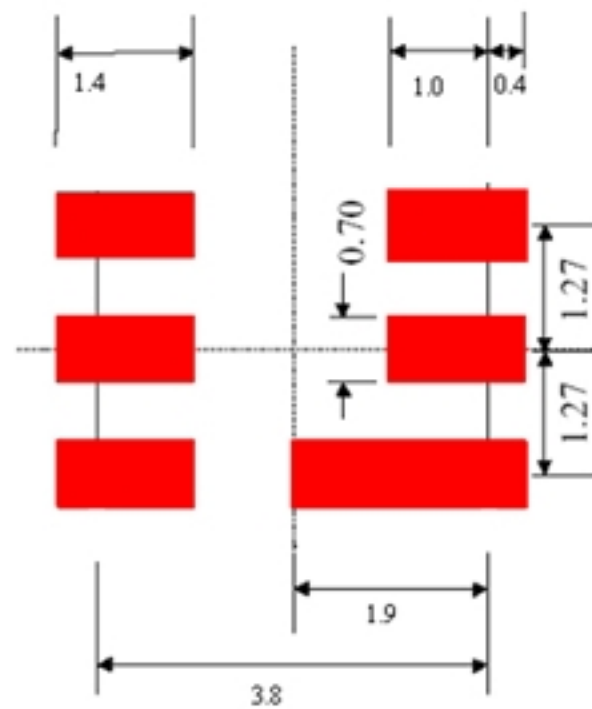
# F.FREQUENCY CHARACTERISTICS:



## G. TEST CIRCUIT:

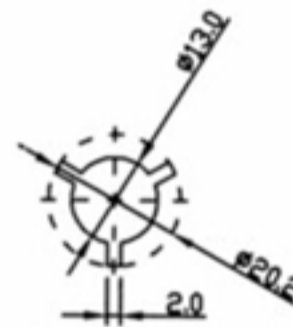
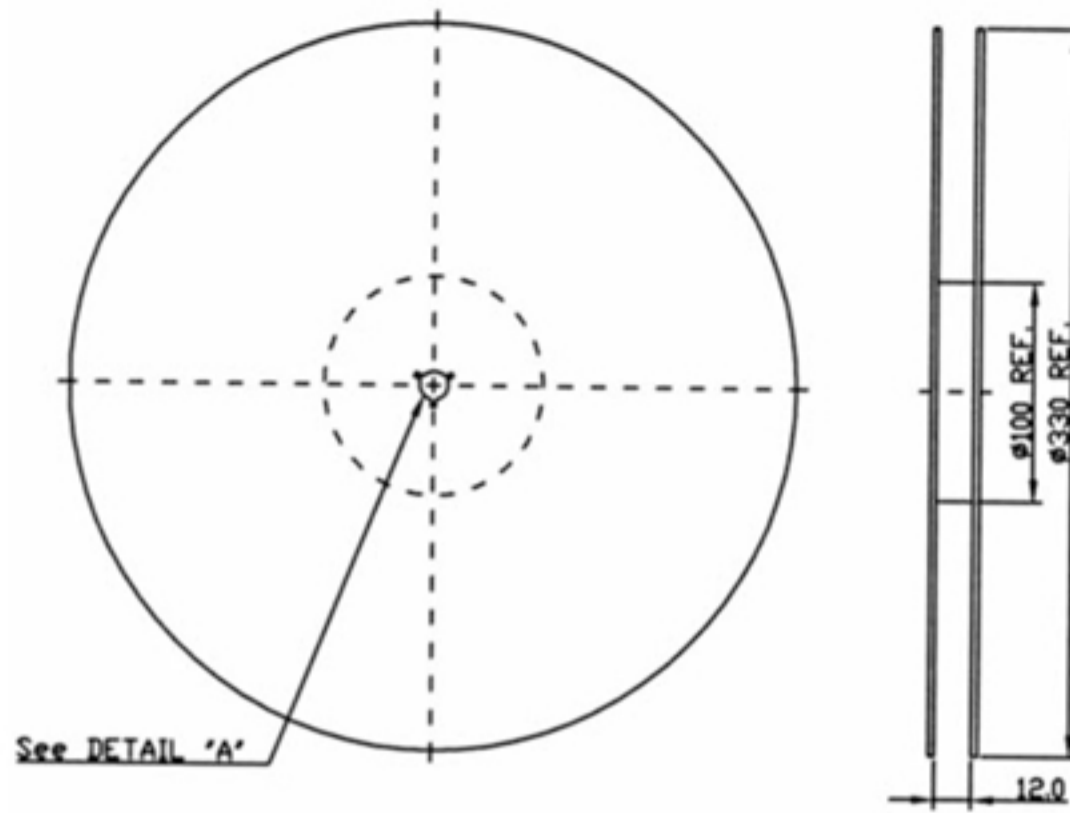


## H. PCB FOOTPRINT

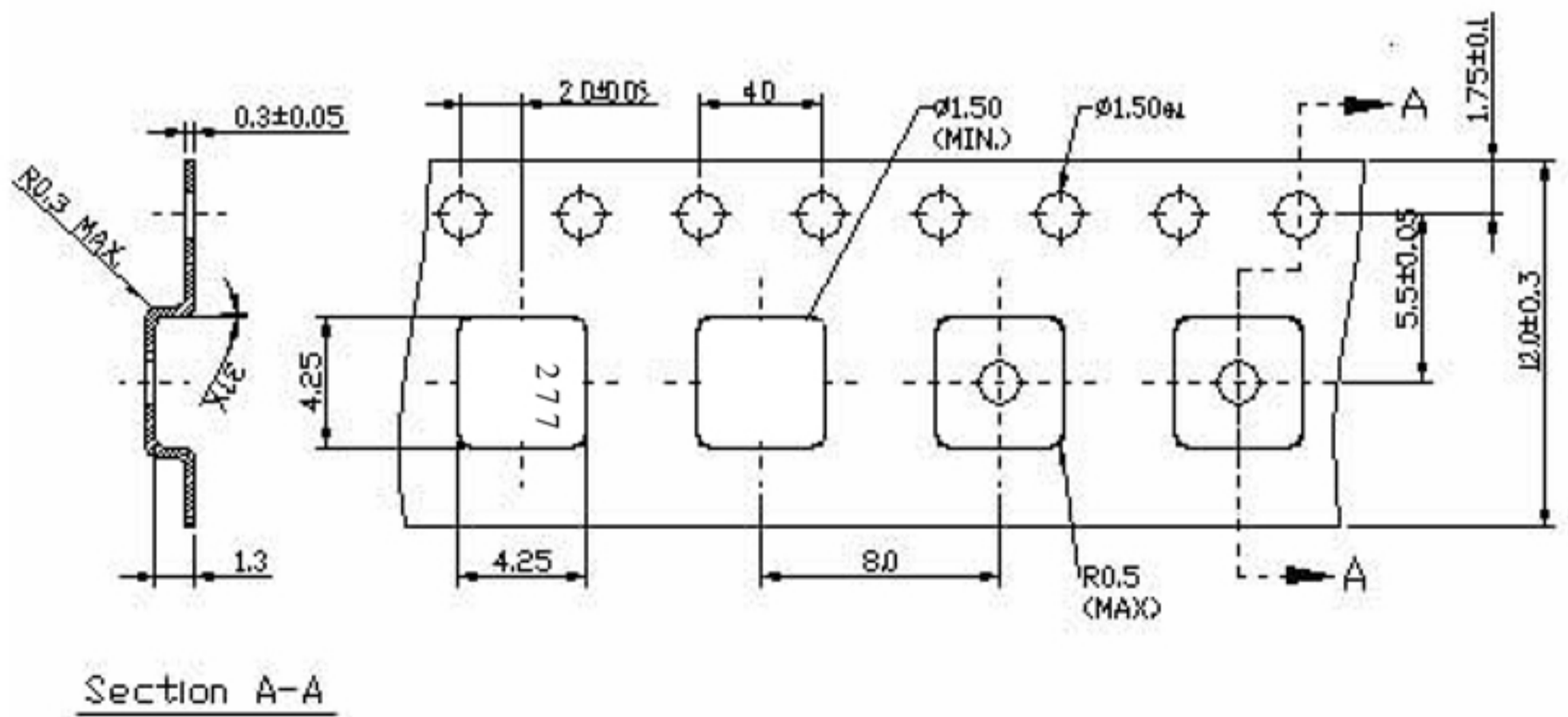


# I. PACKING:

## 1. REEL DIMENSION



## 2. TAPE DIMENSION



Section A-A



Direction of feed