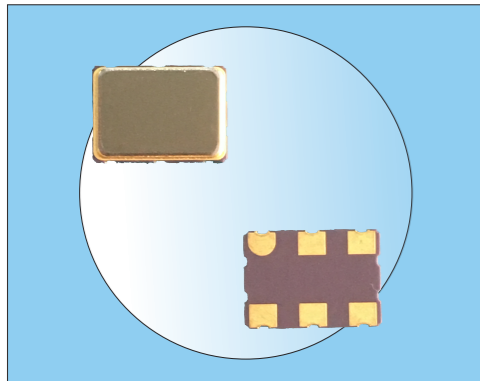


Crystal Oscillators

Voltage Controlled Crystal Oscillator/SMD7050L



Features

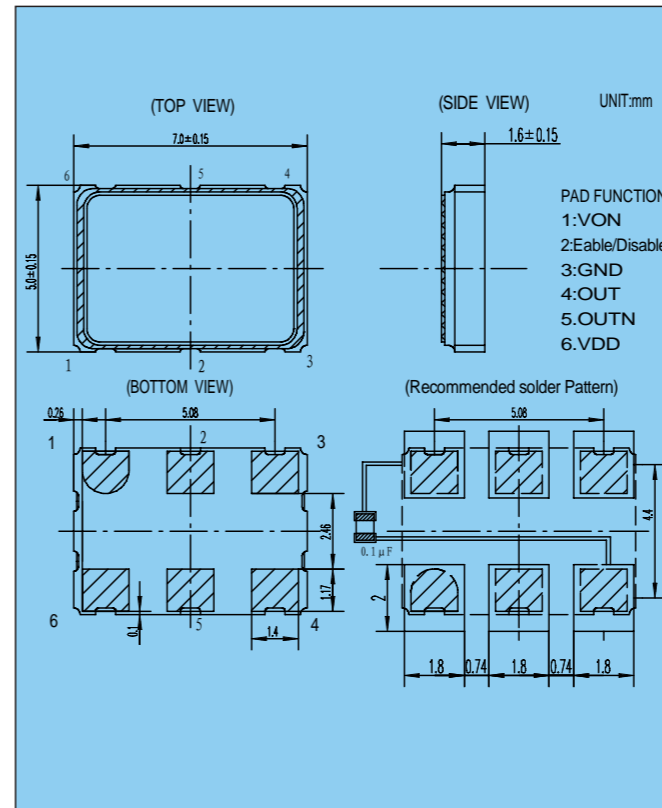
- JYEG part number :JYVCD7L
- 3.3V supply voltage
- LVDS output
- Tri-state function available
- Tape and reel available

TYPICAL SPECIFICATIONS

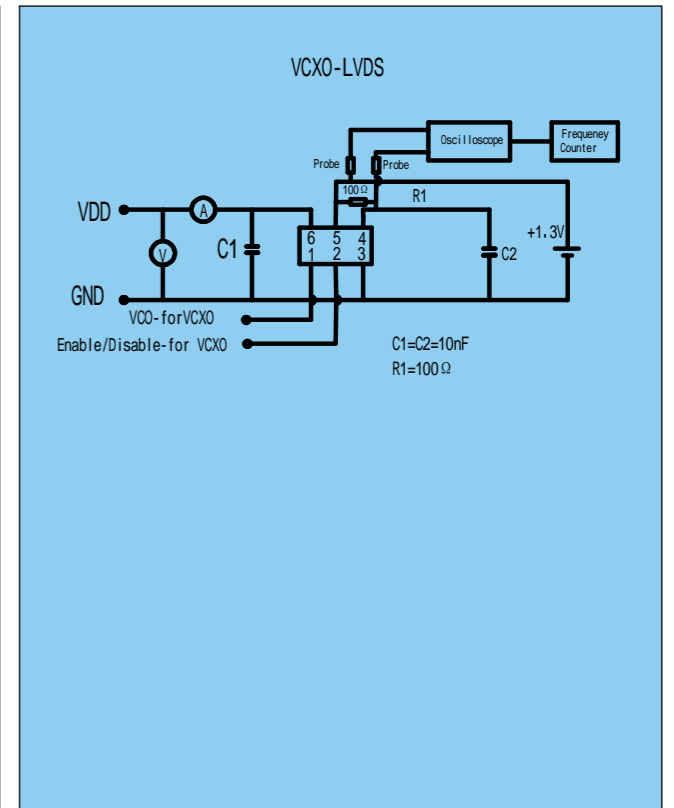
Type	VCXO SMD7050L		
Frequency Range	100MHz~170MHz(AT1)		
Frequency Stability	$\geq \pm 25\text{ppm}/\geq \pm 30\text{ppm}/\geq 50\text{ppm}$		
Operating Temperature Range	$-20^{\circ}\text{C}\sim 70^{\circ}\text{C}/-40^{\circ}\text{C}\sim 85^{\circ}\text{C}/-40^{\circ}\text{C}\sim 105^{\circ}\text{C}$		
Output Load	$100\pm 1\Omega$		
Input Current	$\leq 80\text{mA}$		
Supply Voltage	$3.3\text{V}\pm 10\%$		
Start-up Time	3ms Max		
Duty Cycle	40%~60% Normal,45%~55% Tight		
Rise/Fall Time	5ns Max		
Pulling Range	$\pm 50\text{ppm}$ Min		
Control Voltage Range	$10\%\text{VDD}\sim 90\%\text{VDD}$		
Linearity	10% Max		
Output "H" Level	MIN	TYP	MAX
	—	1.43	1.6
Output "L" Level	MIN	TYP	MAX
	0.9	1.1	—
Tri-state	Pin2:0.7 VDD Min(High)or open,Output:Enable		
	Pin :0.3 VDD Max(Low),Output:Disable		
RMSJitter(12KHZ ~ 20MHZ)	1.0ps Max		
Aging	$\pm 3\text{ppm}/\text{year}$ Max		
Storage Temperature Range	$-55^{\circ}\text{C}\sim 125^{\circ}\text{C}$		

Crystal Oscillators

VCXO SMD7050L(JYVCD7L)



TEST CIRCUIT



TAPE AND REEL DIMENSIONS

