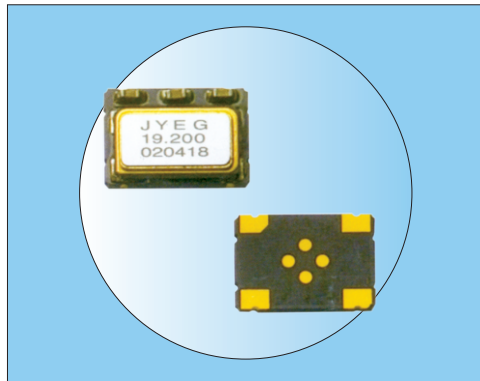


Crystal Oscillators

Voltage Controlled temperature Compensated Crystal Oscillator/VC-TCXO SMD7050



Features

- JYEG part number: JYVTD7
- 5.0V, 3.3V supply voltage
- Tape and reel available

TYPICAL SPECIFICATIONS

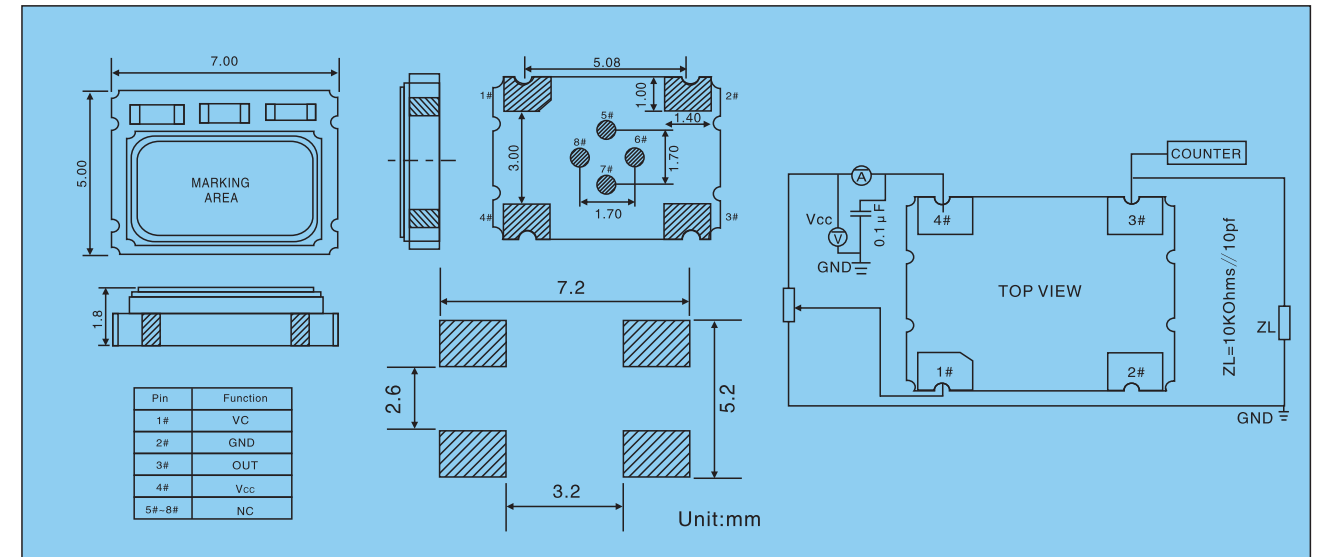
| Type | VC-TCXO SMD7050 |
|--|--------------------------|
| Frequency Range | 21.001m:±0.1/27m:±0.1 |
| Frequency Stability | ±1~±2.5ppm |
| Operating Temperature Range | -30°C ~75°C/-40°C~+85°C |
| Output Load | 10kΩ //10pF |
| Start-up Time | 3mS Max |
| Input Current | 2.0mA Max |
| Input Voltage | 3.3V,5.0V ±5% |
| Frequency Stability vs. Supply Voltage | ±0.2ppm(VDD ±5%) |
| Frequency Stability vs. Load | ±0.2ppm(ZL ±10%) |
| Aging | ±1.0ppm/year |
| Phase Noise (10MHz) | 1KHz, -130dB type offset |

TCXO

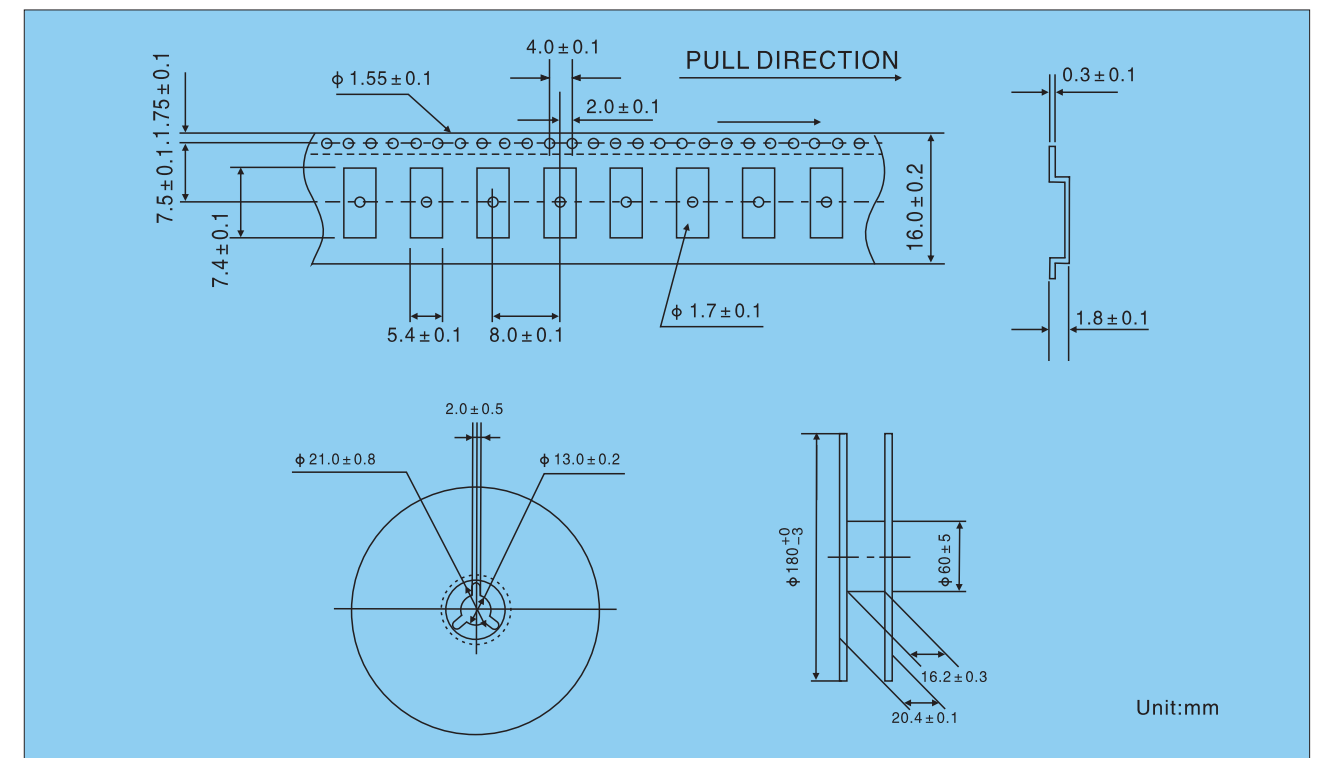
Crystal Oscillators

VC-TCXO SMD7050(JYVTD7)

TEST CIRCUIT



TAPE AND REEL DIMENSIONS



TCXO